

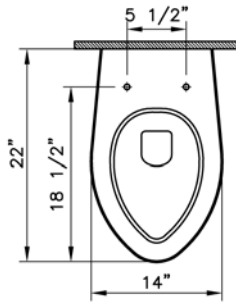
# Commercial Line

VitrA

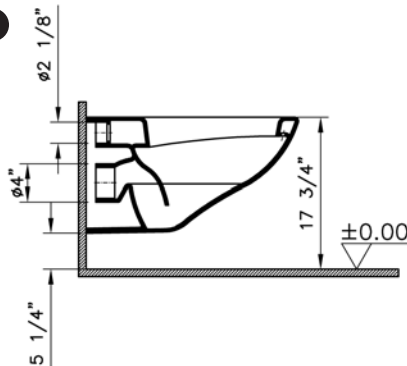


<b>Description</b>	: Residential Wall-hung Toilet, 1.6 gpf HET Elongated Bowl, ADA Compliant
<b>Model Numbers</b>	: 5077BXXX-0075
<b>Compatible Items</b>	: 781-5900 Concealed Tank and carrier 790-2000 Control Panel (white plastic, start and stop push button) 790-2085 Control Panel (matte chrome plated, start and stop push button) 790-2080 Control Panel (polished chrome plated, start and stop push button) 36-003-002 Toilet Seat (elongated) (available only in white color) 44-XXX-009 Toilet Seat (elongated) (soft-closing)
<b>Water Consumption</b>	: 1.6 GPF / 6.0 LPF
<b>Water Surface</b>	: 5 1/4" x 4 1/2"
<b>Water Depth From Rim</b>	: 7 1/2"
<b>Minimum Water Pressure</b>	: 20 psi
<b>Trap Diameter</b>	: Fully glazed 2" ball pass trapway with 2 1/8" trap diameter
<b>Trap Seal Depth</b>	: 2 3/8"
<b>Shipping Weight</b>	: 5077: 33 lbs. 781-5900: 40 lbs. 790-2000: 2 lbs. 790-2085: 2 lbs. 790-2080: 2 lbs.
<b>Shipping Dimensions</b>	: 5077: 15 1/2"W x 15 1/2"L x 22 5/8"H 781-5900: 8 2/8"W x 42 2/8"L x 21 5/8"H 790-2000: 8 5/8"W x 15"L x 2"H 790-2085: 8 5/8"W x 15"L x 2"H 790-2080: 8 5/8"W x 15"L x 2"H
<b>Installation Guide</b>	: VitrA Guide # 312856
<b>Material</b>	: Vitreous China
<b>Colors</b>	: 003 White 017 Bone / 068 Biscuit (Basic colors) "XXX" indicates the color
<b>Standards</b>	: Meets the American Disabilities Act Guidelines and ICC/ANSI A117-1 requirements when installed so top of seat is 17" from the finished floor. Recommended seat for ADA requirements: VitrA 36-003-002 ASME A 112.19.2, CSA B45, ADA ICC/ANSI A.117-1, CMR 248 (State of Massachusetts)
<b>Warranty</b>	: 10 year limited warranty

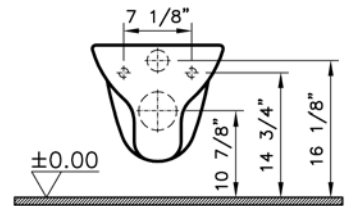
1



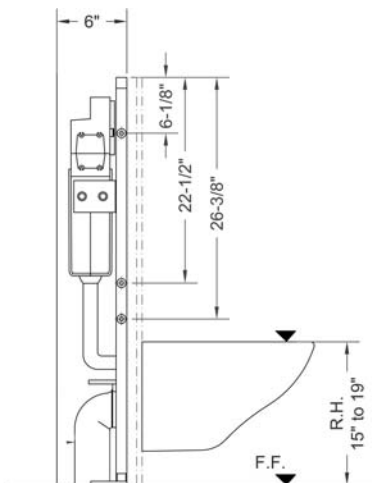
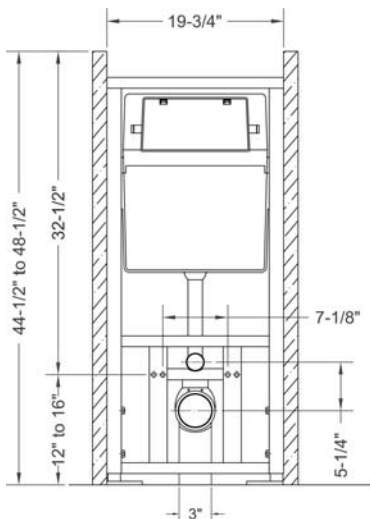
2



3



4



**Notes:**

- DIMENSIONS SHOWN FOR THE LOCATION OF THE SUPPLY IS SUGGESTED.
- INSTALLATION INSTRUCTIONS SUPPLIED WITH THE TOILET.

**IMPORTANT:** Dimensions of fixtures are nominal and may vary within the range of tolerances established by ASME Standard A 112.19.2, CSA Standard B45. These measurements may be subject to change. No responsibility is assumed for the use of superseded or voided pages.

May, 2010

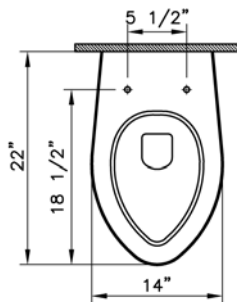
# Commercial Line

VitrA

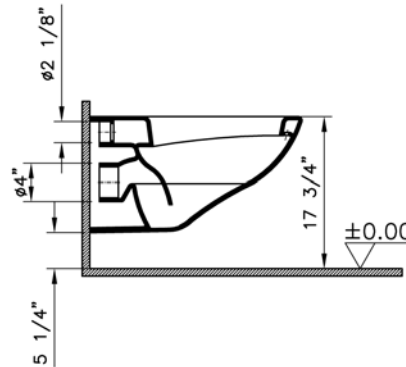


<b>Description</b>	: Residential Wall-hung Toilet, 1.6 gpf HET, Elongated Bowl, ADA Compliant
<b>Model Numbers</b>	: 5077BXXX-0075
<b>Compatible Items</b>	: 703-5900 Concealed Tank and carrier (Pneumatic operated concealed tank) 703-1010 Control Panel (matte chrome plated, stainless steel) 703-1020 Control Panel (polished chrome plated, stainless steel) 703-1030 Control Panel (satin chrome plated, stainless steel) 36-003-002 Toilet Seat (elongated) (available only in white color) 44-XXX-009 Toilet Seat (elongated) (soft-closing)
<b>Water Consumption</b>	: 1.6 GPF / 6.0 LPF
<b>Water Surface</b>	: 5 1/4" x 4 1/2"
<b>Water Depth From Rim</b>	: 7 1/2"
<b>Minimum Water Pressure</b>	: 20 psi
<b>Trap Diameter</b>	: Fully glazed 2" ball pass trapway with 2 1/8" trap diameter
<b>Trap Seal Depth</b>	: 2 3/8"
<b>Shipping Weight</b>	: 33 lbs.
<b>Shipping Dimensions</b>	: 15 1/2"W x 15 1/2"L x 22 5/8"H
<b>Installation Guide</b>	: VitrA Guide # 312856
<b>Material</b>	: Vitreous China
<b>Colors</b>	: 003 White 017 Bone / 068 Biscuit (Basic colors) "XXX" indicates the color
<b>Standards</b>	: Meets the American Disabilities Act Guidelines and ICC/ANSI A117-1 requirements when installed so top of seat is 17" from the finished floor. Recommended seat for ADA requirements: VitrA 36-003-002 ASME A 112.19.2, CSA B45, ADA ICC/ANSI A.117-1, CMR 248 (State of Massachusetts)
<b>Warranty</b>	: 10 year limited warranty

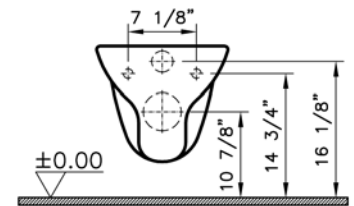
1



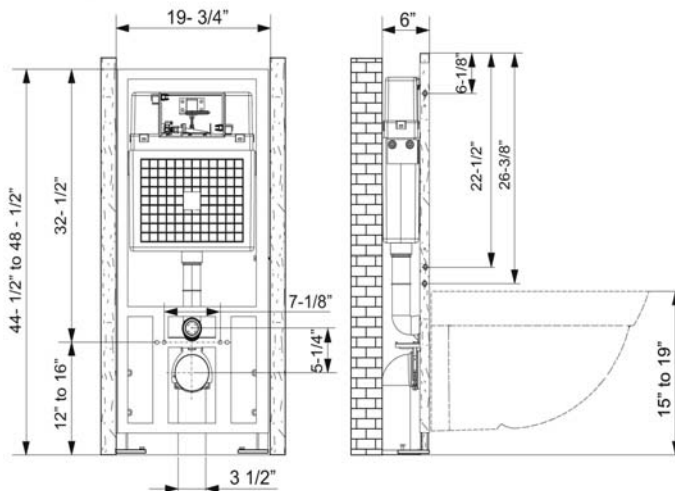
2



3



4



**Notes:**

- DIMENSIONS SHOWN FOR THE LOCATION OF THE SUPPLY IS SUGGESTED.
- INSTALLATION INSTRUCTIONS SUPPLIED WITH THE TOILET.

**IMPORTANT:** Dimensions of fixtures are nominal and may vary within the range of tolerances established by ASME Standard A 112.19.2, CSA Standard B45. These measurements may be subject to change. No responsibility is assumed for the use of superseded or voided pages.

May, 2010