

# Commercial Line

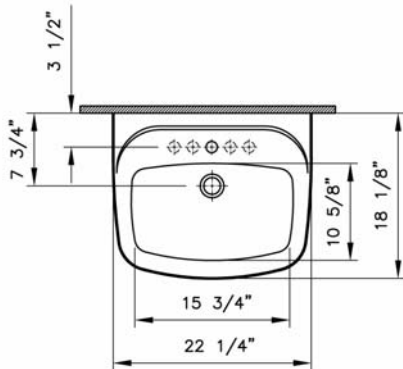
VitrA



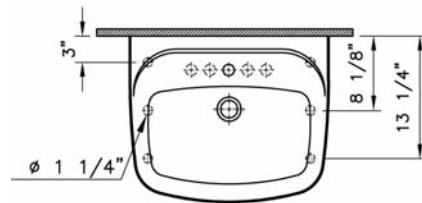
Description	: Wall Mount Lavatory, ADA Compliant
Model Numbers	: 5072BXXX-0001 Single-hole faucet drilling 5072BXXX-0030 4" faucet drilling 5072BXXX-0033 8" faucet drilling
Size	: 22" x 18"
Height	: 34"
Depth	: 7 7/8"
Waste	: Ø1 1/4" O. D.
Shipping Weight	: 39 lbs.
Shipping Dimensions	: 14 1/2"W x 23 5/8"L x 21 1/4"H
Installation Guide	: VitrA Guide # 312852
Included Components	: Wall hung lavatory maunting bracket (312573)
Material	: Vitreous China
Colors	: 003 White 017 Bone / 068 Biscuit (Basic colors) "XXX" indicates the color
Standards	: ASME A 112,19.2, CSA B45, ICC/ANSI A 117.1
Warranty	: 10 year limited warranty



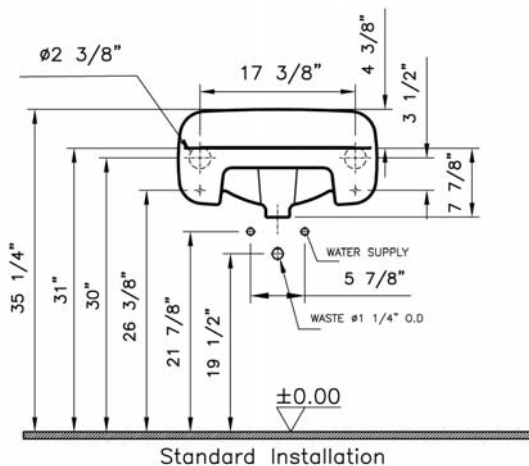
1



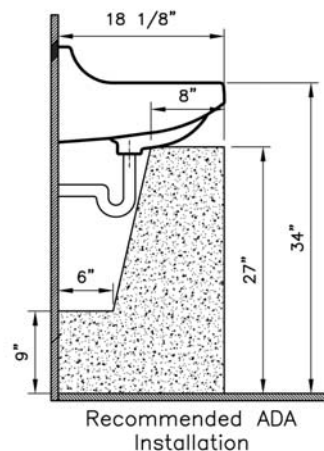
2



3



4



**Notes:**

- DIMENSIONS SHOWN FOR THE LOCATION OF THE SUPPLY IS SUGGESTED.
- INSTALLATION INSTRUCTIONS SUPPLIED WITH THE TOILET.

**IMPORTANT:** Dimensions of fixtures are nominal and may vary within the range of tolerances established by ASME Standard A 112.19.2, CSA Standard B45. These measurements may be subject to change. No responsibility is assumed for the use of superseded or voided pages.

May, 2010