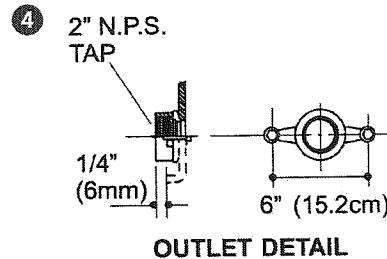
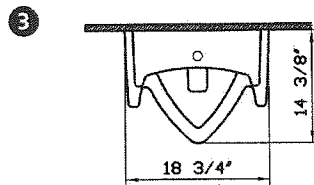
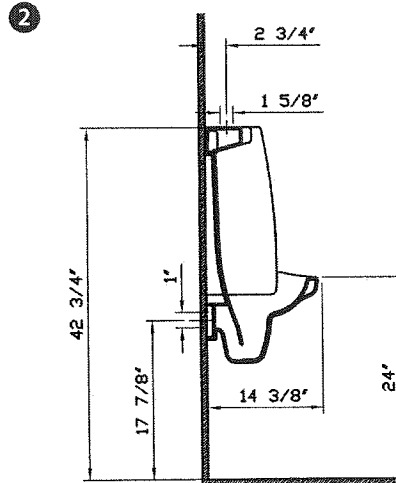
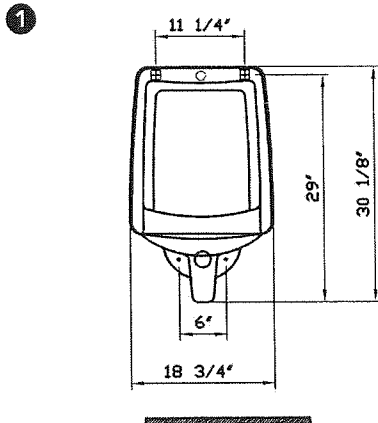


Arkitekt



Description	: Low consumption, wash-out urinal, ADA Compliant (top spud)
Code Number	: 5063-XXX-0198
Size	: 30 1/8" Height x 11 1/4" Width x 14 3/8" Rim
Water Consumption	: 1.0 GPF
Flush System	: Wash-out
Spud Diameter	: 3/4"
Shipping Weight	: 62 lbs.
Shipping Dimensions	: 18 7/8" W x 31 1/2" L x 15" H
Installation Guide	: VitrA Guide # 312853
Fixings	: Top inlet spud (313210) Urinal mounting hanger (313015) Outlet spud (424529)
Material	: Vitreous china
Colors	: 003 White 017 Bone, 068 Biscuit (Basic Colors) "XXX" indicates the color
Standards	: Urinal complies with ADA requirement when rim is mounted no higher than 17" from finished floor. ASME A 112.19.2, CSA B45, ICC/ANSI A 117.1
Warranty	: 10 year limited warranty



Notes:

- DIMENSIONS SHOWN FOR THE LOCATION OF THE SUPPLY IS SUGGESTED.
- INSTALLATION INSTRUCTIONS SUPPLIED WITH THE URINAL.
- FITTINGS ARE NOT INCLUDED
- PROVIDE SUITABLE REINFORCEMENT FOR ALL WALL SUPPORTS.

IMPORTANT: Dimensions of fixtures are nominal and may vary within the range of tolerances established by ASME Standards A 112.19.2, CSA Standard B45 and ICC/ANSI Standard A 117.1. These measurements may be subject to change. No responsibility is assumed for the use of superseded or voided pages.