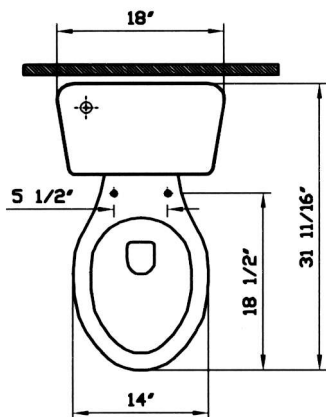


Toilets

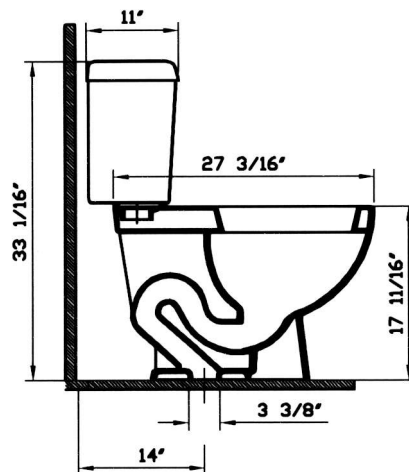


Description	: Atlantis Elongated Front Bowl ADA Compliant
Code Nr	: 5052-XXX-0075
Compatible items	: 5055-XXX-5006 Tank with white plated trim lever 5055-XXX-5007 Tank with chrome plated trim lever 422885 Toilet Seat (elongated)
Water use	: 1.6 GPF
Water surface	: 10 1/4" x 8 7/16"
Water depth from rim	: 6 1/2"
Rough-in	: 14"
Minimum water pressure	: 20 psi.
Trap diameter	: 2 1/8"
Trap seal depth	: 2 3/8"
Shipping weight	: 5052 : 55 lbs. 5055 : 34 lbs.
Shipping dimensions	: 5052 : 15 3/16"W x 29 1/8"L x 18 11/16"H 5055 : 11 13/16"W x 18 7/8"L x 15 3/8"H
Installation guides	: 312851
Fixings	: Bolt cap (310359/310306)
Material	: Vitreous china
Colors	: 003 White 017 Bone, 068 Biscuit (Basic Colors) "XXX" indicates the color
Standards	: ASME A112.19.2M, ASME A112.19.6, ICC/ANSI A117.1, CSA B45
Warranty	: 10 year limited warranty

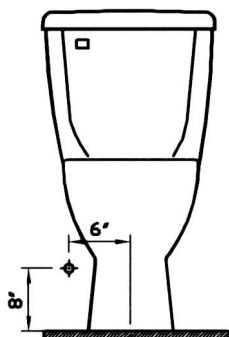
1



2



3



Notes:

- DIMENSIONS SHOWN FOR LOCATION OF SUPPLY IS SUGGESTED.
 - INSTALLATION INSTRUCTIONS SUPPLIED WITH TOILET.
 - TANK FITTING, CHROME PLATED METAL TRIP LEVER AND 2 BOLT CAPS INCLUDED.
 - PROVIDE SUITABLE REINFORCEMENT FOR ALL WALL SUPPORTS.
- IMPORTANT: Dimensions of fixtures are nominal and may vary within the range of tolerances established by ASME Standards A112.19.2M, A112.19.6, ICC/ANSI Standard A117.1 and CSA Standard B45.
These measurements are subject to change or cancellation. No responsibility is assumed for use of superseded or voided pages.