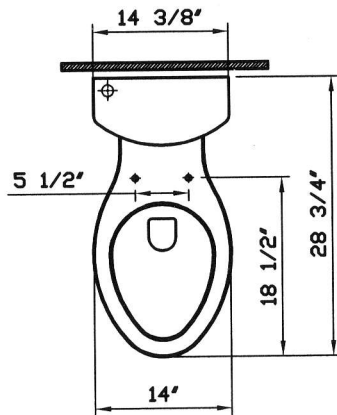


Nuova

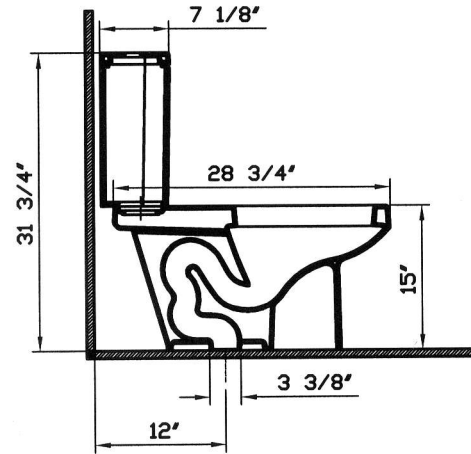


| | |
|------------------------|---|
| Description | : Nuova Two-piece Elongated Bowl with Concealed trapway |
| Model Number | : 5036-XXX-0075 |
| Compatible Items | : 5033-XXX-5263 Tank complete with fittings and chrome plated metal trim lever 36-003-002 Toilet Seat (elongated) |
| Water Consumption | : 1.6 GPF |
| Water Surface | : 9 5/8" x 7 3/4" |
| Water Depth From Rim | : 5 7/8" |
| Rough-In | : 12" |
| Minimum Water Pressure | : 20 psi. |
| Trap Diameter | : 1 7/8" |
| Trap Seal Depth | : 2 3/8" |
| Shipping Weight | : 5036 : 56 lbs. 5033 : 32 lbs. |
| Shipping Dimensions | : 5036 : 14 1/2" W x 29 1/8" L x 16" H 5033 : 7 7/8" W x 15 3/8" L x 17 3/4" H |
| Installation Guide | : VitrA Guide # 312851 |
| Included Components | : Tank fittings, bolt cap (white 310359/bone-biscuit 310306 / black 310360) |
| Material | : Vitreous china |
| Colors | : 003 White 017 Bone, 068 Biscuit (Basic Colors) 001 Edelweiss, 070 Black (Special Colors) "XXX" indicates the color |
| Standards | : ASME A 112.19.2, CSA B45 |
| Warranty | : 10 year limited warranty |

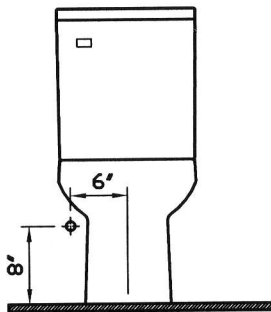
1



2



3



Notes:

- DIMENSIONS SHOWN FOR THE LOCATION OF THE SUPPLY IS SUGGESTED.
 - INSTALLATION INSTRUCTIONS SUPPLIED WITH THE TOILET.
 - PROVIDE SUITABLE REINFORCEMENT FOR ALL WALL SUPPORTS.
- IMPORTANT: Dimensions of fixtures are nominal and may vary within the range of tolerances established by ASME Standard A 112.19. 2 and CSA Standard B45. These measurements may be subject to change. No responsibility is assumed for the use of superseded or voided pages.

April, 2005