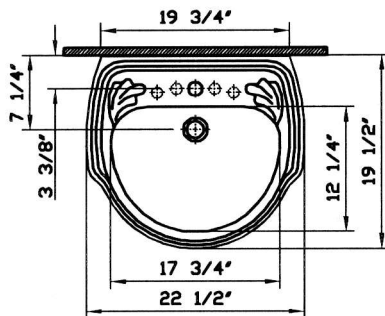


Katia

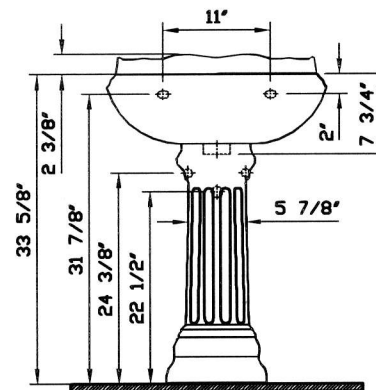


Description	: Katia Pedestal Lavatory
Model Numbers	: 4036-XXX-0001 Single-hole faucet drilling 4036-XXX-0030 4" faucet drilling 4036-XXX-0033 8" faucet drilling
Compatible Item	: 4037-XXX-0156 Pedestal Base
Size	: 22 1/2" x 19 1/2"
Height	: 33 5/8"
Depth	: 5 7/8"
Waste	: Ø1 1/4" O.D.
Shipping Weight	: 4036 : 35 lbs. 4037 : 27 lbs.
Shipping Dimensions	: 4036 : 9 1/2" W x 24 3/8" L x 21 1/8" H 4037 : 10 7/8" W x 10 7/8" L x 29 7/8" H
Installation Guide	: VitrA Guide # 312850
Included Components	: Lavatory installation kit (312090)
Material	: Vitreous china
Colors	: 003 White 017 Bone, 068 Biscuit (Basic Colors) 001 Edelweiss, 070 Black (Special Colors) "XXX" indicates the color
Standards	: ASME A 112.19.2, CSA B45, CMR 248 (State of Massachusetts)
Warranty	: 10 year limited warranty

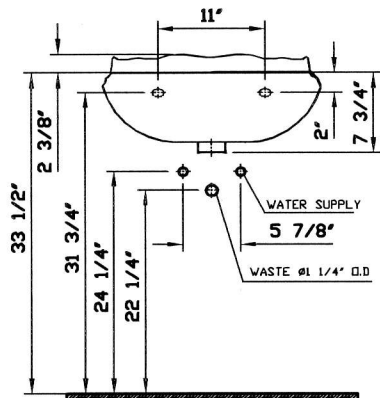
1



2



3



Notes:

- DIMENSIONS SHOWN FOR THE LOCATION OF THE SUPPLY IS SUGGESTED.
- INSTALLATION INSTRUCTIONS SUPPLIED WITH THE LAVATORY.
- FITTINGS ARE NOT INCLUDED
- PROVIDE SUITABLE REINFORCEMENT FOR ALL WALL SUPPORTS.

IMPORTANT: Dimensions of fixtures are nominal and may vary within the range of tolerances established by ASME Standard A 112.19.2, CSA Standard B45 and CMR Standard 248 (State of Massachusetts). These measurements may be subject to change. No responsibility is assumed for the use of superseded or voided pages.

April, 2005