

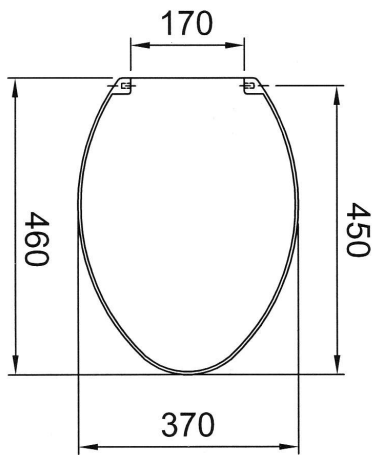
# Serenada



Code-No. : 36-003-002  
Description : Elongated toilet seat (thermoplastic)  
Material : Thermoplastic  
Hinges : Plastic, bottom fixed  
Weight (kg) : 2.1  
Colour : 003 White  
Warranty : 2 years limited warranty



①



②

