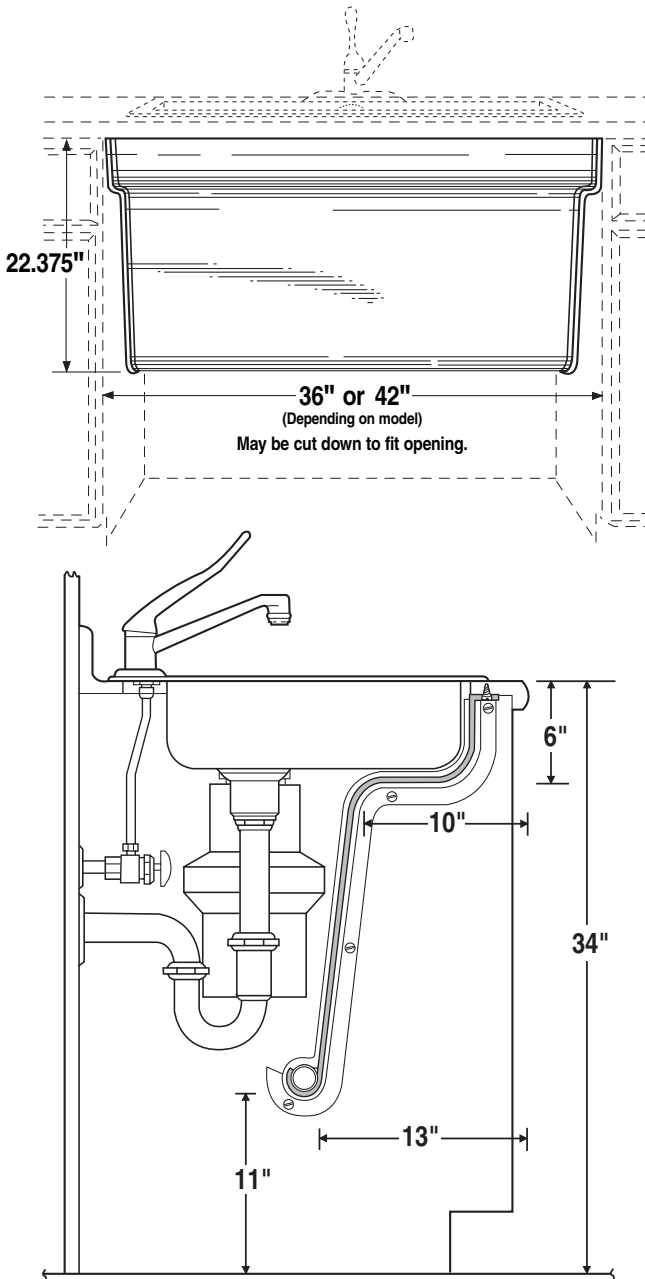
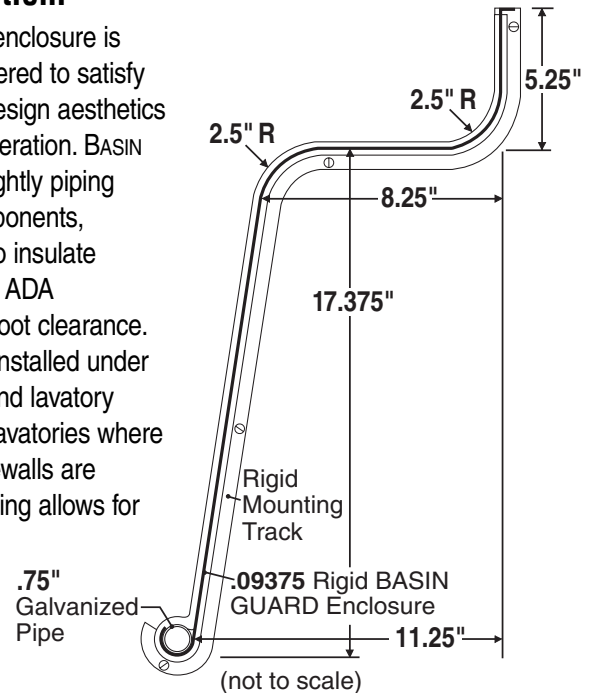


# Submittal Sheet



## General Description:

BASIN GUARD's<sup>®</sup> rigid enclosure is dimensionally engineered to satisfy ADA requirements, design aesthetics and mechanical cooperation. BASIN GUARD conceals unsightly piping and mechanical components, eliminates the need to insulate piping, and maintains ADA mandated knee and foot clearance. BASIN GUARD can be installed under kitchen, classroom, and lavatory sinks and rest room lavatories where counter tops and sidewalls are present. Bottom opening allows for easy service access.



**Note to specifier:** The BASIN GUARD must be specified in combination with ADA-conforming sinks (example, Elkay GEGR or LRAD Line, or Just Manufacturing ADA Line with rear drain) with a maximum 6" deep bowl and rear waste outlet.

Material	Rigid high-impact, stain-resistant PVC
Nominal Wall	.093" constant
Finish	Fine haircell
UV Protection	Will not fade or discolor
Durability	Virtually indestructible
Fasteners	Eight (8) – #6 X 1/2" screws
Color	White or beige
Paintability	Apply acrylic enamel or latex
Flammability	UL-94 V-0, 5VB

BASIN GUARD may be trimmed smaller to fit actual opening size.

- BASIN GUARD Model #36** —  White  Beige  
Fits under sink compartments 36" or less.
- BASIN GUARD Model #42** —  White  Beige  
Fits under sink compartments 42" or less.

Job/Location \_\_\_\_\_

Architect \_\_\_\_\_

Engineer \_\_\_\_\_

Contractor \_\_\_\_\_

TRUEBRO reserves the right to make product and material changes at any time without notice.  
12/05

U.S. and Canadian Patents: 77,065, D375,154