



THERMOLEC

ELECTRIC BOILER

The Latest In Technology for

HYDRONIC HEATING



Standard Features

Wide Range of kW Sizes Available

- 5 - 40 kW, up to 136,500 BTU output

Fully Modulating

- Ideal for multiple zone systems
- 15% energy savings versus staged boilers

Outdoor Sensor and Reset Control

- Adjusts water temperature based on outdoor temperature to maximize efficiency and comfort

Dual Energy Heating

- All models include load management control connections

Electronic Aquastat

- Precise supply water temperature control
- Ideal for radiant floor, baseboard, radiator or hydronic coil systems

Stainless Steel Tank

- Durable, corrosion-resistant heat generator vessel

Compact and Lightweight Design

- Cabinet sizes: 18" x 28" x 9-1/2"
28" x 18" x 9-1/2"
- Weight range: 34 - 74 lbs.

Thermolec Electric Boiler Features



Electronic Controller Function

- Full modulation: maximizes heating efficiency for precise control of output water temperature.
- Aquastat: fully adjustable hi/low water temperature settings.
- Reset control: varies water temperature based on signal from outdoor sensor.

Load Management Control

- Automatically controls boiler based on utility control.

Insulated Stainless Steel Heat Generator Tank

- Corrosion-resistant for long life.

Solid State Control Relays

- Silent, long-lasting control of element switching.
- No mechanical parts to wear out.

High-Limit Protection

- Built-in safety feature.

Circuit Breakers Included

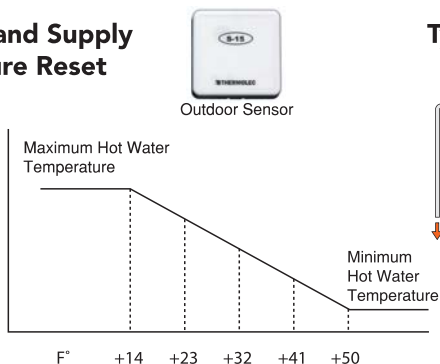
- Provides safe electrical isolation for service.

Two Models Available

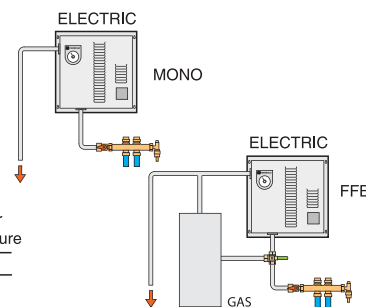
- Mono for stand-alone electric heating.
- FFB models for electric with fossil fuel backup boiler applications.

Outdoor Sensor and Supply Water Temperature Reset

The outdoor reset control proportionally varies the hot water temperature when the outdoor temperature is between +14°F and +50°F. The result is improved comfort and energy savings on mild days.



Typical Installations



FFB Model Features

Dual Fuel Control Switch

- Allows for manual selection between gas/oil or electric boiler and automatically switches based on utility company's load management signal.

Diverting Valve Relay

- Automatically diverts waterflow to selected boiler based on load management control.

Specifications @ 240v / 1ph

MONO	B-5U-M	B-6U-M	B-8U-M	B-9U-M	B-10U-M	B-12U-M	B-15U-M
FFB	B-5U-FFB	B-6U-FFB	B-8U-FFB	B-9U-FFB	B-10U-FFB	B-12U-FFB	B-15U-FFB
KW	5	5.75	8	9	10	11.5	15
BTU/HOUR	17,060	19,619	27,296	30,708	34,120	39,238	51,180
TOTAL AMPS	20.83	23.96	33.33	37.50	41.67	47.92	62.50
BREAKER/AMP SIZE	1 x 30A	1 x 30A	1 x 50A	1 x 50A	1 x 60A	1 x 60A	1 x 60A/1 x 30A
SHIPPING WEIGHT	37 lbs.	38 lbs.	39 lbs.	39 lbs.	39 lbs.	40 lbs.	44 lbs.

MONO	B-18U-M	B-20U-M	B-23U-M	B-27U-M	B-30U-M	B-35U-M	B-40U-M
FFB	B-18U-FFB	B-20U-FFB	B-23U-FFB	B-27U-FFB	B-30U-FFB	B-35U-FFB	B-40U-FFB
KW	18	20	23	27	30	35	40
BTU/HOUR	61,416	68,240	78,476	92,124	102,360	119,420	136,480
TOTAL AMPS	75.00	83.37	95.83	112.50	125.00	145.83	166.67
BREAKER/AMP SIZE	1 x 60A/1 x 50A	2 x 60A	2 x 60A	2 x 50A/1 x 60A	3 x 60A	4 x 50A	4 x 60A
SHIPPING WEIGHT	47 lbs.	47 lbs.	49 lbs.	73 lbs.	73 lbs.	74 lbs.	74 lbs.

NOTE: Custom units (including 3-phase) available upon request.

Dimensions

5 - 23 kW: 18" x 18" x 9.5"

27 - 40 kW: 18" x 28" x 9.5"

Limited Warranty

10 years on elements and tank, 2 years on all other components.

Distributed By:



2060 Lucien-Thimens
Montreal, Quebec, Canada
H4R 1L1

Tel.: 514-336-9130 Fax.: 514-336-3270

Web Site: www.thermolec.com

