



THERMOLEC

TMB BOILER

High Performance, Compact Design

The Thermolec TMB electric boiler is our newest and most affordable model. Without compromising quality, Thermolec has engineered the TMB boiler with quality components and state of the art technology. Designed for all types of hot water heating systems, including applications requiring 190° water temperatures. Ideal for either single or multiple zone applications, the TMB boiler outshines gas boilers in many applications by offering a lower total installed cost, more precise heating with low range BTU output capabilities and less maintenance.

Take advantage of low electric rates available in many areas throughout the US, often resulting in reduced heating costs versus propane or fuel oil boilers.

TMB Boiler Benefits

- **100% Efficient**
- **Lower Install Cost**
- **Less Maintenance**
- **Compact**
- **Light Weight**
- **Easy to Install**
- **Precise Heating**
- **No Venting**



Thermolec TMB Electric Boiler Standard Features

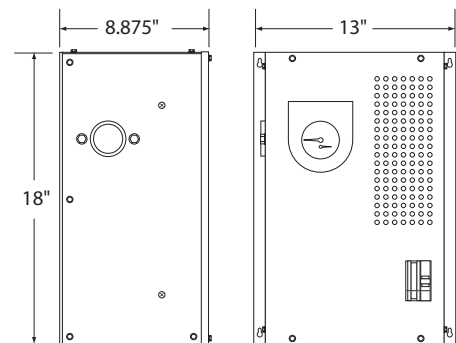
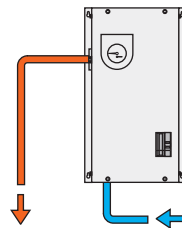
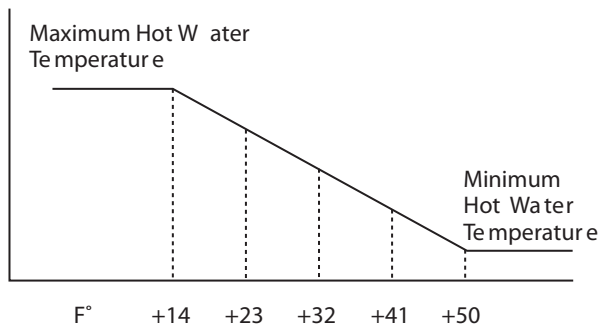
- Sturdy aluminum case
- Stainless steel tank
- Compact and light weight design
- Aquastat control: adjustable supply water temperature range up to 190°F
- Full modulation for precise btu demand output
- Thermostat or zone valve end switch connections
- Pump switching relay
- Load management control connections
- Outdoor reset control
- Built-in circuit breaker
- 30 psi pressure relief valve
- Temperature and pressure gauge
- CSA listed



Thermolec TMB Boiler Specifications @ 240v 1ph				
	B-3TMB	B-6TMB	B-9TMB	B-11TMB
kW	3	6	9	11
BTU/H	10,236	20,472	30,708	37,532
Total Amps	12.5	25	37.5	45.8
Breaker Amps	1 @ 20A	1 @ 40A	1 @ 50A	1 @ 60A
Unit Weight	21 lbs.	23 lbs.	25 lbs.	27 lbs.

Outdoor Sensor and Supply Water Temperature Reset

The outdoor reset control proportionally varies the hot water temperature when the outdoor temperature is between +14°F and +50°F. The result is improved comfort and energy savings on mild days.



Limited Warranty

10 years on elements and tank, 2 years on all other components.

Distributed By:



2060 Lucien-Thimens
Montreal, Quebec, Canada
H4R 1L1

Tel.: 514-336-9130 Fax.: 514-336-3270



Web Site: www.thermolec.com • Email: sales@thermolec.com