



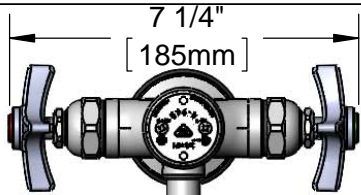
T&S BRASS AND BRONZE WORKS, INC.
 2 Saddleback Cove / P.O. Box 1088
 Travelers Rest, SC 29690

Model No.

BL-5704-08

Item No.

Travelers Rest, SC: 800-476-4103 • Simi Valley, CA: 800-423-0150 • Fax: 864-834-3518 • www.tsbrass.com



7 1/4"
[185mm]



ADA Compliant

This Space for Architect/Engineer Approval

Job Name _____ Date _____

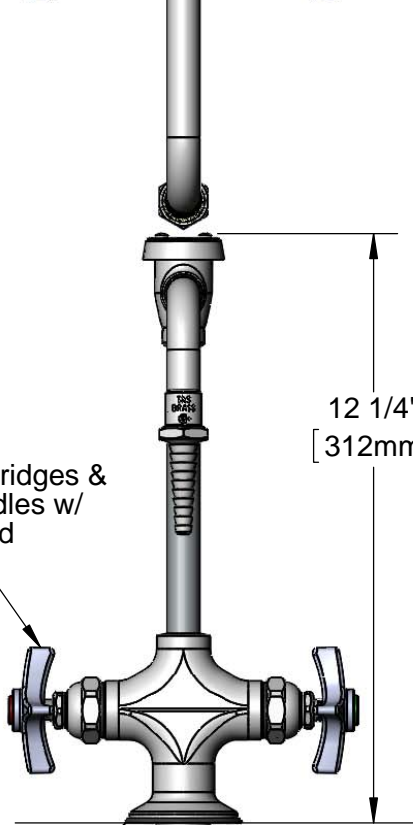
Model Specified _____ Quantity _____

Customer/Wholesaler _____

Contractor _____

Architect/Engineer _____

Eterna Cartridges &
4-Arm Handles w/
Color Coded
Indexes



12 1/4"
[312mm]

Ø 2 7/16"
Base Gasket

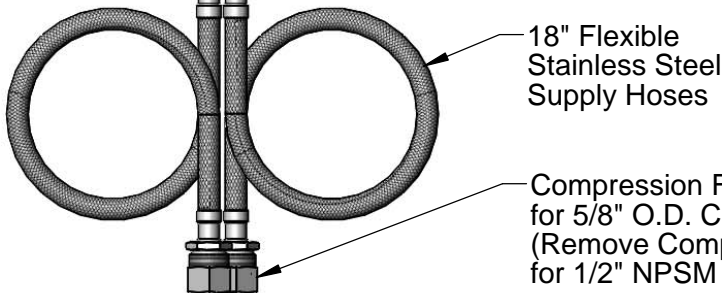
B-0968
3/8" NPT
Vacuum Breaker
Vacuum Breaker
Nozzle &
B-0198
Serrated
Tip and
Washer

5 11/16"
[144mm]

6"
[153mm]

Mounting Surface

1" [25mm]
Maximum
Thickness



18" Flexible
Stainless Steel
Supply Hoses

Compression Fittings
for 5/8" O.D. Copper Tubing
(Remove Compression Nut
for 1/2" NPSM Male)

Rough-In Requirement:
1 1/4" [Ø 32mm] Mounting Holes

Product Specifications:

Single Hole Deck Mount Laboratory Mixing Faucet w/ Rigid Vacuum
Breaker Nozzle, Serrated Tip Outlet, 4-Arm Handles & 18" Flexible Stainless
Steel Supply Hoses w/ 1/2" NPT Male Inlets

Product Compliance:

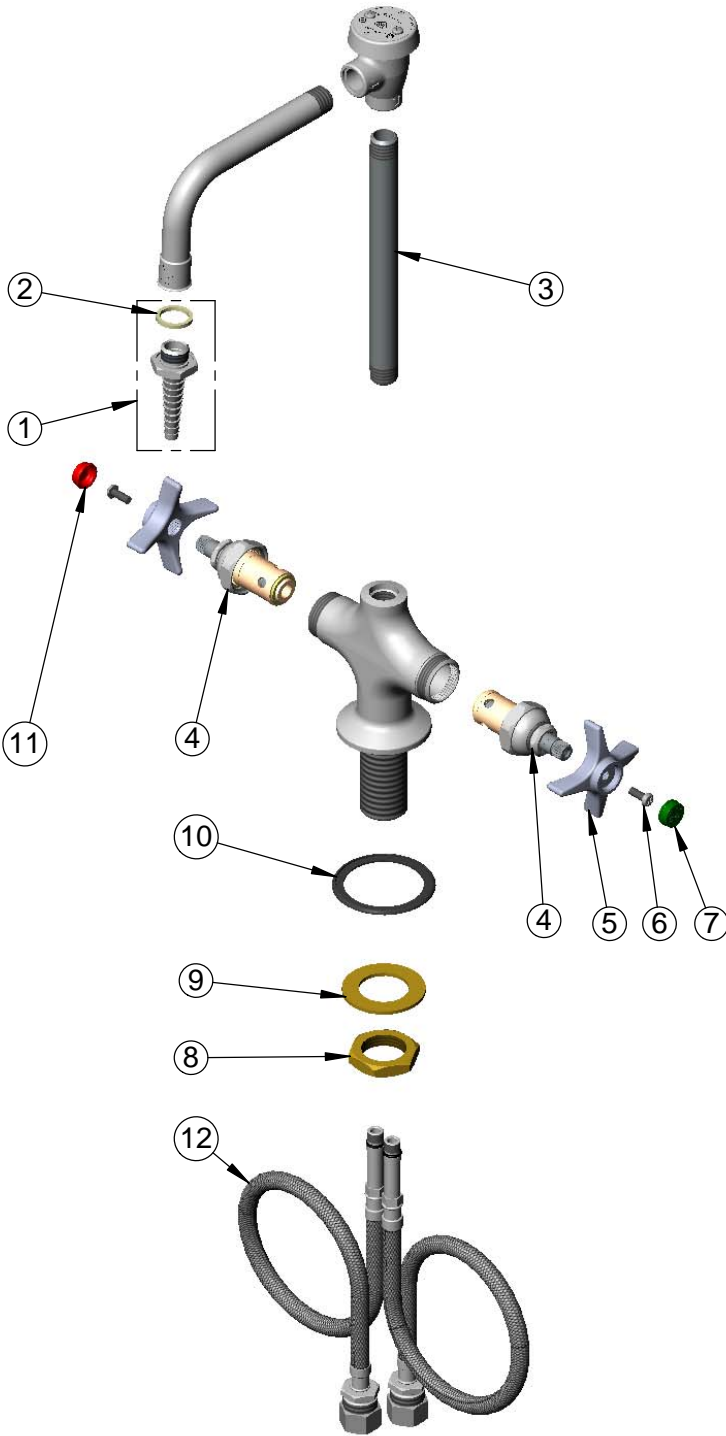
ASME A112.18.1 / CSA B125.1
NSF 61 Exempt (Non-Potable)
ANSI A117.1 (ADA)
ASSE 1001 (VB)



T&S BRASS AND BRONZE WORKS, INC.
 2 Saddleback Cove / P.O. Box 1088
 Travelers Rest, SC 29690

Model No.
BL-5704-08
 Item No.

Travelers Rest, SC: 800-476-4103 • Simi Valley, CA: 800-423-0150 • Fax: 864-834-3518 • www.tsbrass.com



ITEM NO.	SALES NO.	DESCRIPTION
1	B-0198	Serrated Tip w/ Washer
2	001051-45	Washer
3	000363-40	3/8" NPT x 7" Riser
4	005960-40	Eterna Cartridge, RTC
5	000059-40	4-Arm Lab Handle
6	000925-45	Lab Handle Screw
7	001191-45	Green Index - CW
8	000965-45	Lock Nut
9	002290-45	Lock Washer
10	145L	Black Plastic Gasket
11	001194-45	Red Index - HW
12	012534-45	18" Flexible Supply Hose (2)

Product Specifications:
 Single Hole Deck Mount Laboratory Mixing Faucet w/ Rigid Vacuum Breaker Nozzle, Serrated Tip Outlet, 4-Arm Handles & 18" Flexible Stainless Steel Supply Hoses w/ 1/2" NPT Male Inlets

Product Compliance:
 ASME A112.18.1 / CSA B125.1
 NSF 61 Exempt (Non-Potable)
 ANSI A117.1 (ADA)
 ASSE 1001 (VB)