

# T&S BRASS AND BRONZE WORKS, INC.

2 SADDLEBACK COVE / P.O. BOX 1088 / TRAVELERS REST, SC 29690

PHONE 800-476-4103

FAX 864-834-3518



REG.#A2601  
ISO #9002

Model No.

B-2746

Item No.:

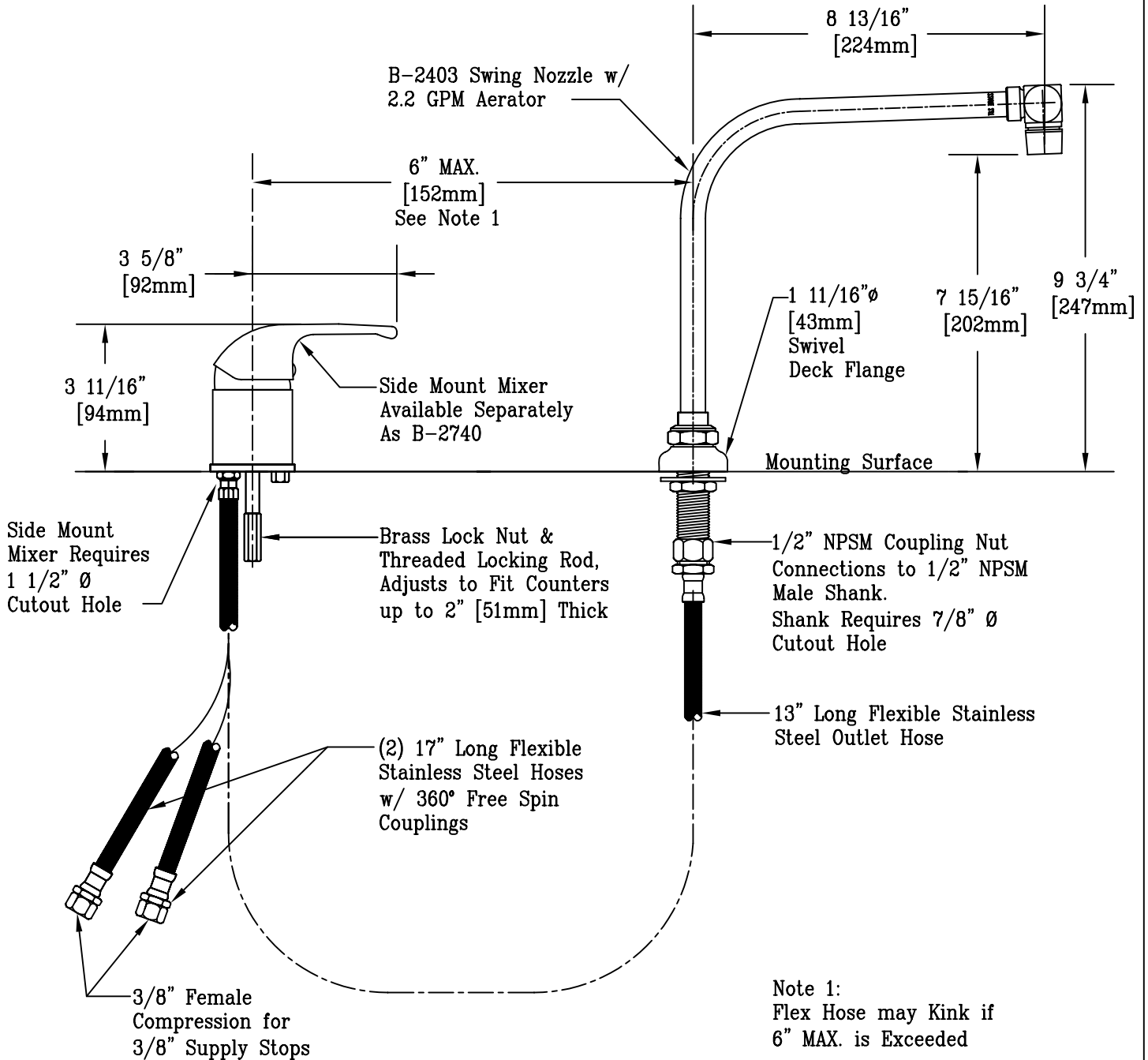
Job Name:

Architect/Engineer Approval:

Notes:

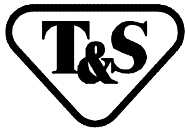


ADA Compliant



Product Description:  
 Side Mount Faucet: Single Lever Base Mixing Faucet w/  
 3/8" Compression Female Flex Stainless Steel Supplies,  
 Ceramic Cartridge & 9 3/4" High Swing Nozzle w/ 2.2 GPM Aerator

Drawn:	Checked:	Scale:
DMH	JRM	1:4
Approved:	Date:	
JHB	12/11/09	



T&S BRASS AND BRONZE WORKS, INC.

2 SADDLEBACK COVE / P.O. BOX 1088 / TRAVELERS REST, SC 29690

PHONE 800-476-4103

FAX 864-834-3518



REG. #A2601  
ISO #9002

Model No.

BL-5550-30

Item No.:

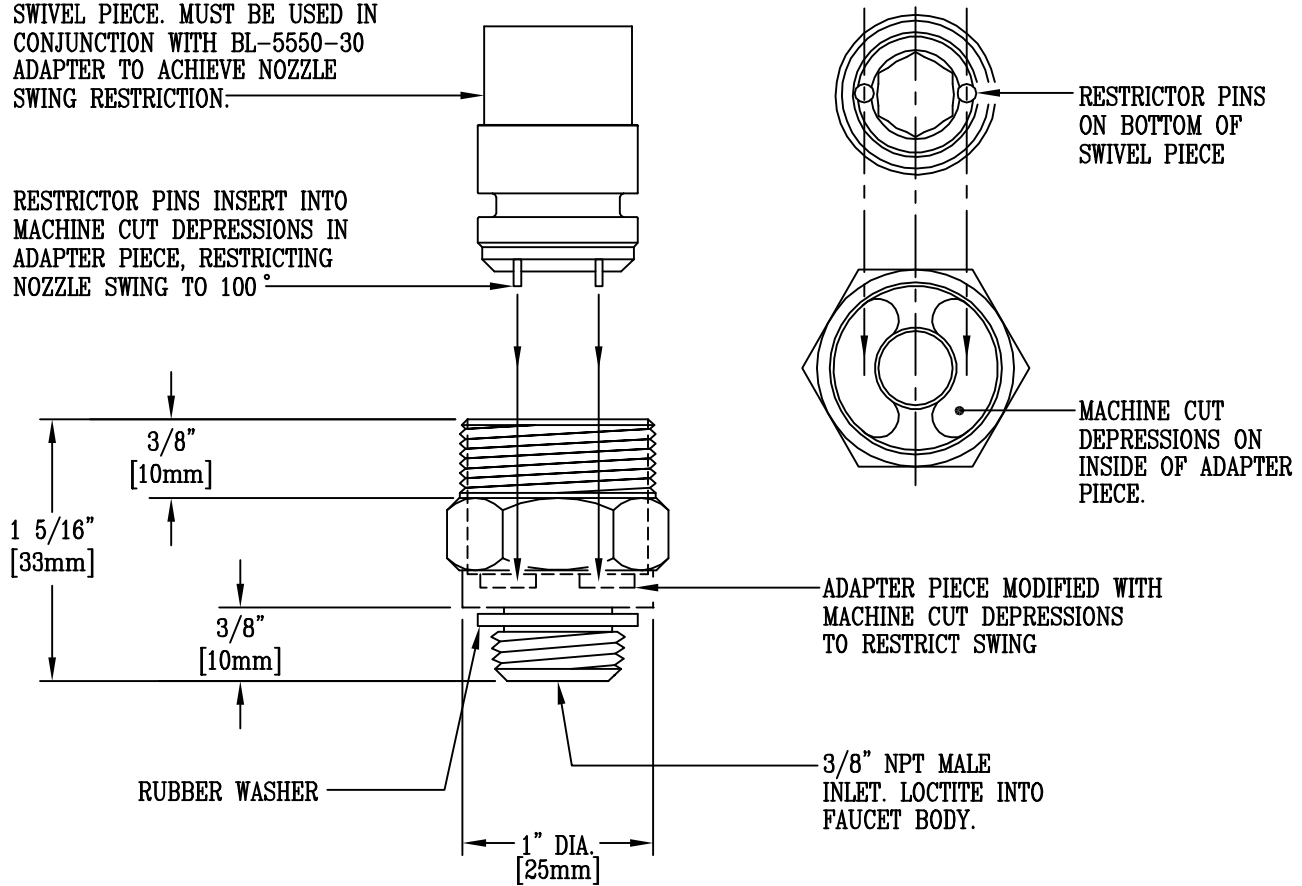
Job Name:

Architect/Engineer Approval:

Notes:

SWIVEL PIECE. MUST BE USED IN CONJUNCTION WITH BL-5550-30 ADAPTER TO ACHIEVE NOZZLE SWING RESTRICTION.

RESTRICTOR PINS INSERT INTO MACHINE CUT DEPRESSIONS IN ADAPTER PIECE, RESTRICTING NOZZLE SWING TO 100°



SWING GOOSENECK OR SPOUT MUST BE MODIFIED WITH ADAPTER PIECE, AND SWIVEL PIECE AS SHOWN. SWIVEL PIECE IS FITTED WITH RESTRICTOR PINS WHICH INSERT INTO SMALL, MACHINE CUT DEPRESSIONS IN BOTTOM OF ADAPTER PIECE, AND THUS RESTRICT SWING OF SWIVEL PIECE (AND NOZZLE) TO 100 DEGREE SWING (TOTAL).

Product Description:

RESTRICTED SWING ADAPTER WITH 100° SWING RESTRICTION

Drawn:

WJS

Checked

ARD

Scale:

1 : 1

Approved

CA

Date:

10/25/95