



T&S BRASS AND BRONZE WORKS, INC.

2 Saddleback Cove / P.O. Box 1088
Travelers Rest, SC 29690



REG. #A2601
ISO #9001

Model No.
B-2710

Item No.

Travelers Rest, SC: 800-476-4103 Simi Valley, CA: 800-423-0150 Fax: 864-834-3518 www.tsbrass.com

This Space for Architect/Engineer Approval

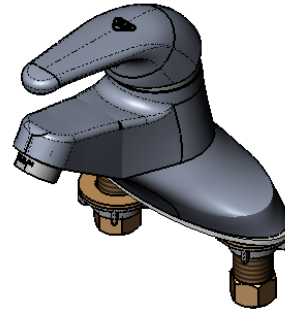
Job Name _____ Date _____

Model Specified _____ Quantity _____

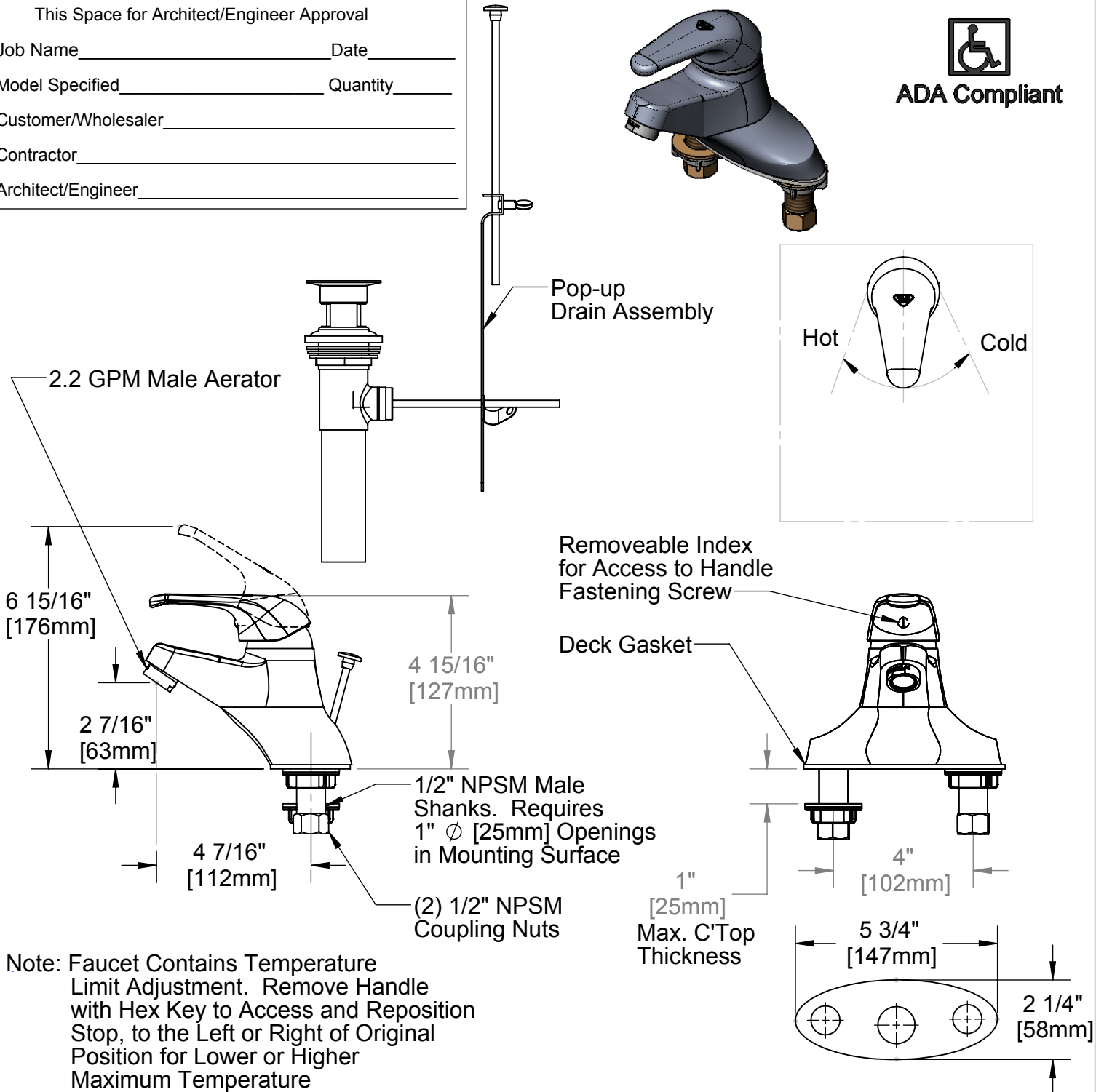
Customer/Wholesaler _____

Contractor _____

Architect/Engineer _____



ADA Compliant



Product Specifications:

4" Centerset Single Lever Faucet
1/2" NPSM Male Inlet Shanks, Pop-up Drain,
Temperature Limit Stop & Ceramic Cartridge

Drawn ARH	Checked DHL	Approved JHB
Scale: 1:4		Date: 01/16/08