



T&S BRASS AND BRONZE WORKS, INC.
 2 Saddleback Cove / P.O. Box 1088
 Travelers Rest, SC 29690

Model No.
B-2360-01-AR

Item No.

Travelers Rest, SC: 800-476-4103 • Simi Valley, CA: 800-423-0150 • Fax: 864-834-3518 • www.tsbrass.com

This Space for Architect/Engineer Approval

Job Name _____ Date _____

Model Specified _____ Quantity _____

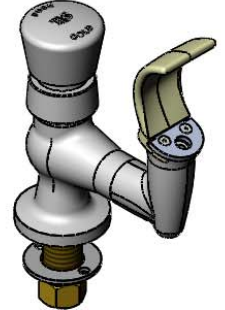
Customer/Wholesaler _____

Contractor _____

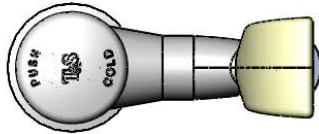
Architect/Engineer _____



ADA Compliant

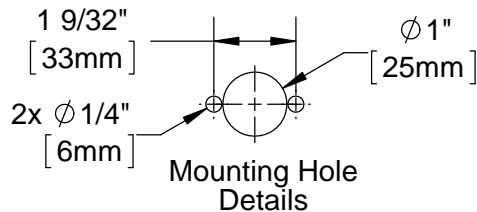
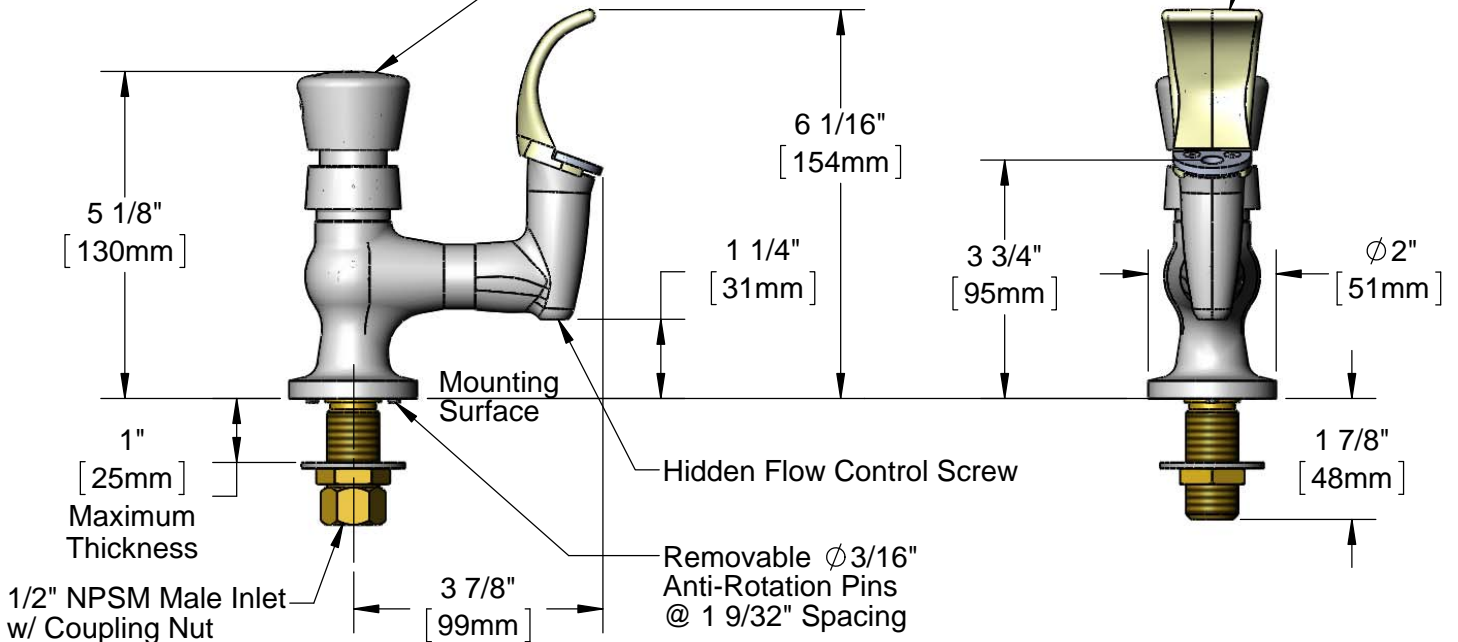


Furnished w/ Spanner Bit for Access to Metering Adjustment. (Metering Adjustment Requires 3/32" Hex Key)



Push-Button Metering Cartridge w/ "Cold" Cap

Rubber Mouth Guard



Product Specifications:
 Bubbler w/ Anti-Rotation Pins, Rubber Mouth Guard, Push Button Metering Cartridge w/ "Cold" Cap & 1/2" NPSM Inlet w/ Coupling Nut

Drawn DMH	Checked DHL	Approved JHB
Scale: 1:3		Date: 12/13/12