



T&S BRASS AND BRONZE WORKS, INC.

2 Saddleback Cove / P.O. Box 1088
Travelers Rest, SC 29690



REG. #A2601
ISO #9001

Model No.

B-2347

Item No.

Travelers Rest, SC: 800-476-4103 Simi Valley, CA: 800-423-0150 Fax: 864-834-3518 www.tsbrass.com

This Space for Architect/Engineer Approval

Job Name _____ Date _____

Model Specified _____ Quantity _____

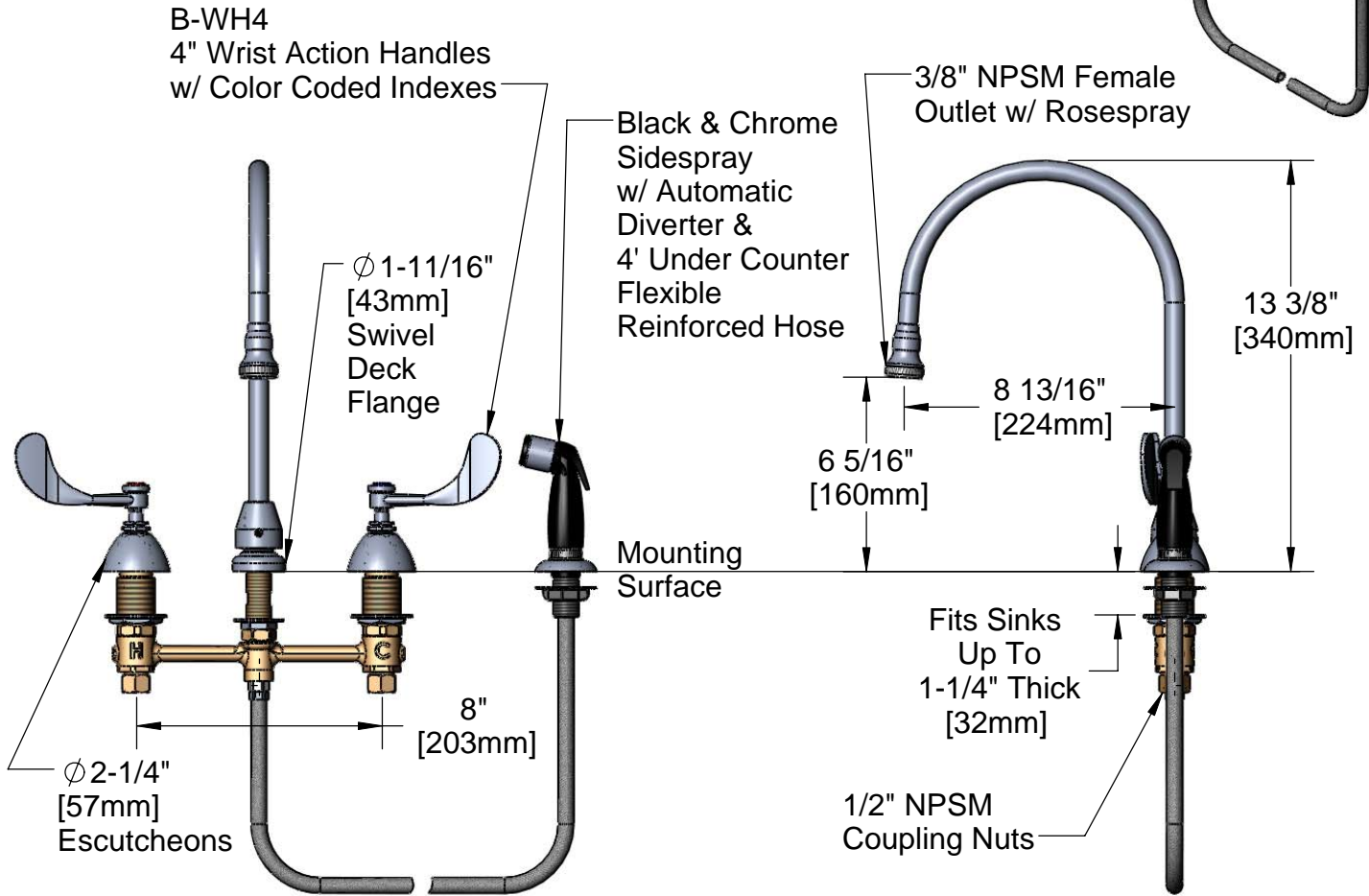
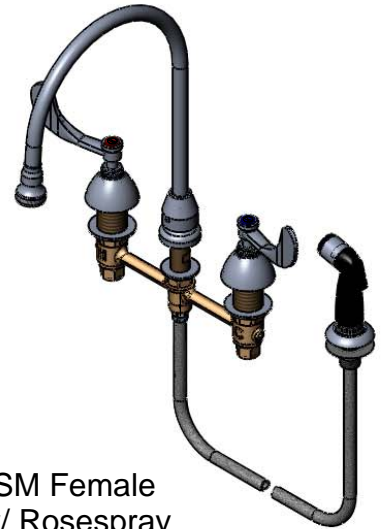
Customer/Wholesaler _____

Contractor _____

Architect/Engineer _____



ADA Compliant



Note: Rough-In Required:

Ø 1" for Center Shank

Ø 1-1/2" [38mm] for Hot/Cold Side [1-1/4" [32mm] Minimum]

Product Specifications:

**EasyInstall Faucet w/ 4' Sidespray, 4" Wrist
Action Handles, Compression Cartridges, 8" Inlet
Centers & Gooseneck w/ Rosespray Outlet**

Drawn
JRM

Checked
GEF

Approved
JHB

Scale:

NTS

Date:

07/31/08



T&S BRASS AND BRONZE WORKS, INC.

2 Saddleback Cove / P.O. Box 1088
Travelers Rest, SC 29690



REG. #A2601
ISO #9001

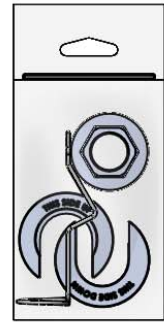
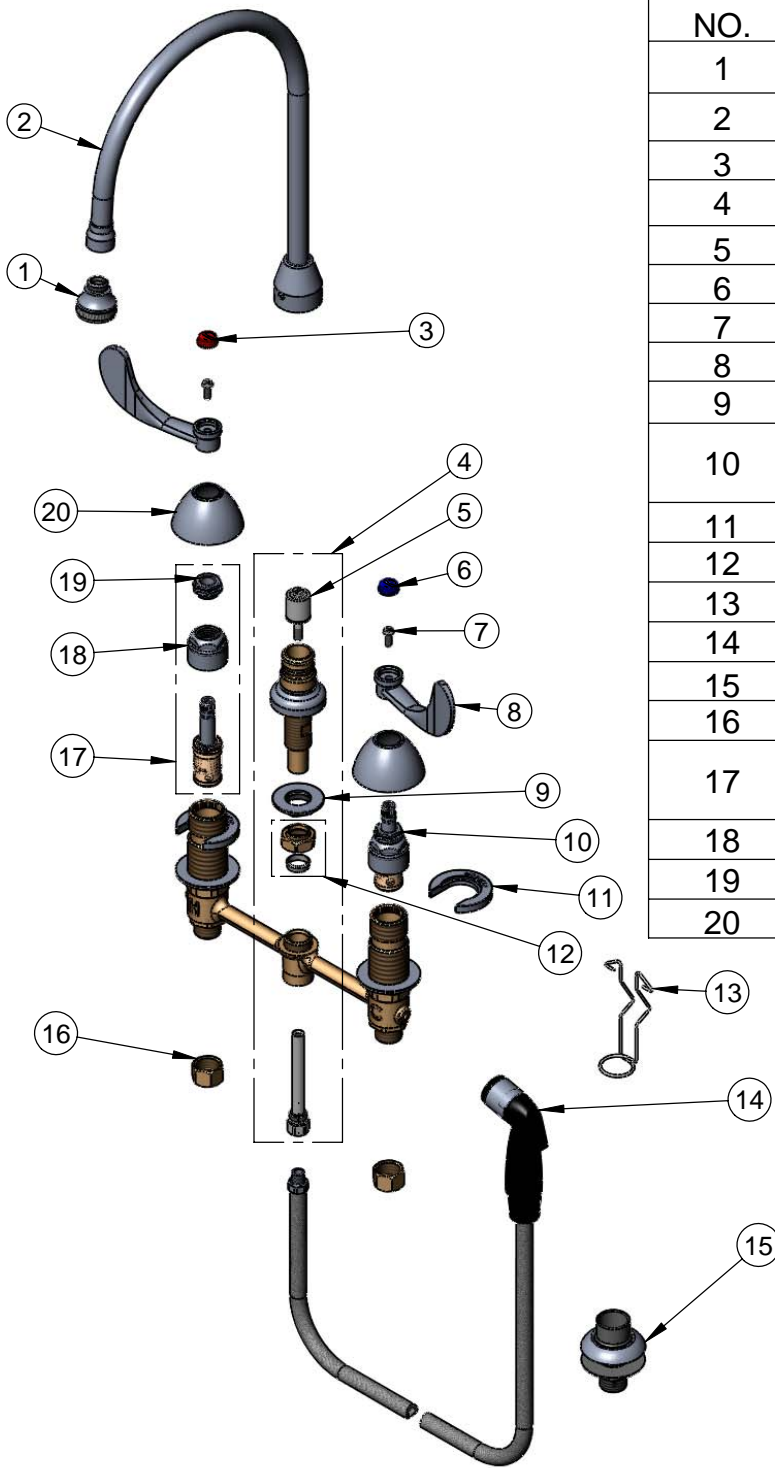
Model No.

B-2347

Item No.

Travelers Rest, SC: 800-476-4103 Simi Valley, CA: 800-423-0150 Fax: 864-834-3518 www.tsbrass.com

ITEM NO.	SALES NO.	DESCRIPTION
1	002209-40	B-0103 Spray Head Asy
2	009436-40	Assembly, B-2347 Nozzle
3	001194-45	Red HW Index
4	017208-40	Center Body Diverter Asy
5	002338-45	Diverter
6	001686-45	Blue CW Index
7	000925-45	Lab Handle Screw
8	B-WH4	4" Wrist Action Handle
9	016742-45	Center Flange Nut
10	016752-40	CWS Bonnet & LTC Eterna Cartridge
11	016749-45	C-Washer
12	016745-45	Compression Nut & Fitting
13	016777-45	CWS Hanger
14	001495-45	Side Spray
15	001496-45	Hose Guide
16	000958-20	Coupling Nut
17	016753-40	CWS Bonnet & RTC Eterna Cartridge
18	016743-25	CWS Bonnet Assembly
19	009002-25	Packing Assembly
20	001257-40	Bell Escutcheon



017245-40
Installation Repair Kit
Includes #9, (2)#11, & #13

Product Specifications: EasyInstall Faucet w/ 4" Sidespray, 4" Wrist Action Handles, Compression Cartridges, 8" Inlet Centers & Gooseneck w/ Rosespray Outlet	Drawn JRM	Checked GEF	Approved JHB
	Scale: NTS		Date: 07/31/08