



T&S BRASS AND BRONZE WORKS, INC.

2 Saddleback Cove / P.O. Box 1088
Travelers Rest, SC 29690



REG. #A2601
ISO #9001

Model No.
B-2345-01-XX

Item No.

Travelers Rest, SC: 800-476-4103 Simi Valley, CA: 800-423-0150 Fax: 864-834-3518 www.tsbrass.com

This Space for Architect/Engineer Approval

Job Name _____ Date _____

Model Specified _____ Quantity _____

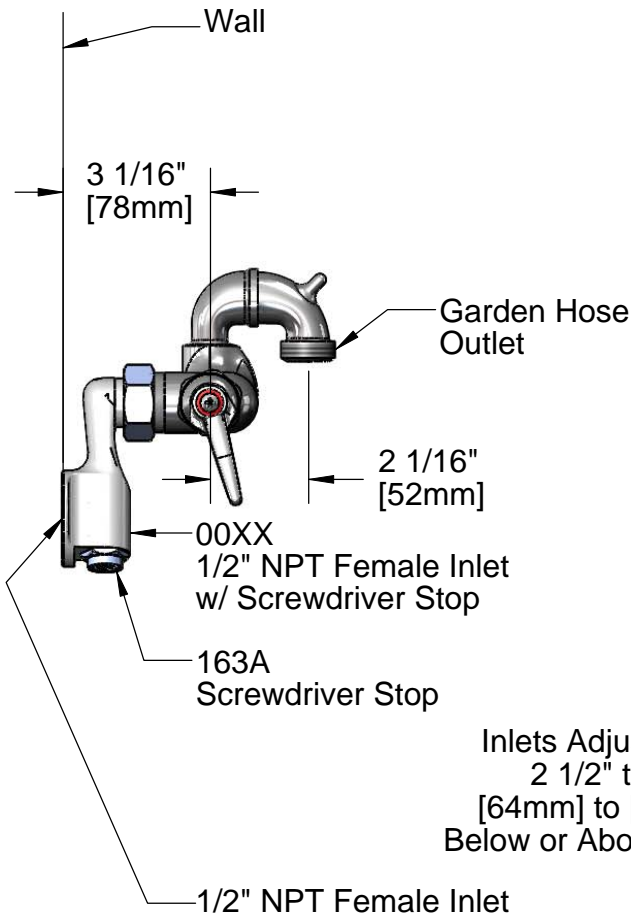
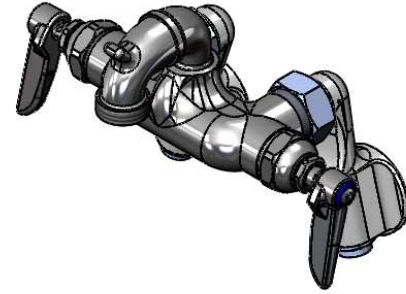
Customer/Wholesaler _____

Contractor _____

Architect/Engineer _____



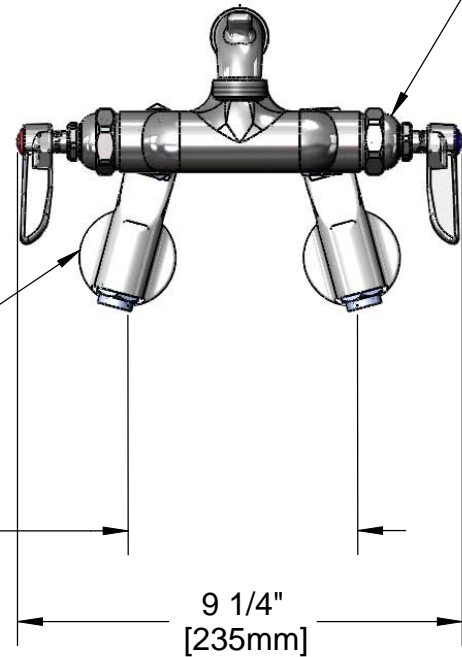
ADA Compliant



Eterna Cartridges w/
Spring Checks &
Lever Handles w/
Color Coded Indexes

Ø 2" [51mm]

Inlets Adjustable from
2 1/2" to 8 1/4"
[64mm] to [210mm] cc
Below or Above Centerline



Product Specifications:

Wall Mount Polish Chrome Mixing Faucet w/ 1/2" NPT Adjustable Inlets w/ Screwdriver Stops, Lever Handles & Eterna Cartridges w/ Spring Checks

Drawn DHL	Checked KJG	Approved JHB
Scale: 1:4		Date: 08/03/10