



**T&S BRASS AND BRONZE WORKS, INC.**  
 2 Saddleback Cove / P.O. Box 1088  
 Travelers Rest, SC 29690

Model No.  
**B-2282**

Item No.

Travelers Rest, SC: 800-476-4103 • Simi Valley, CA: 800-423-0150 • Fax: 864-834-3518 • www.tsbrass.com

This Space for Architect/Engineer Approval

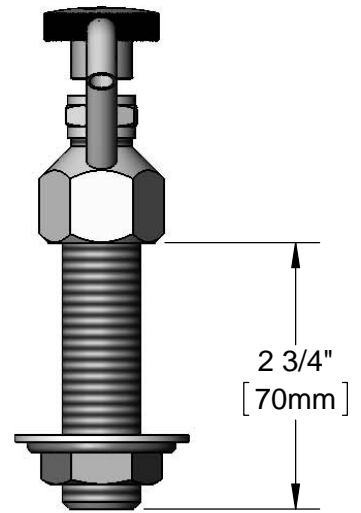
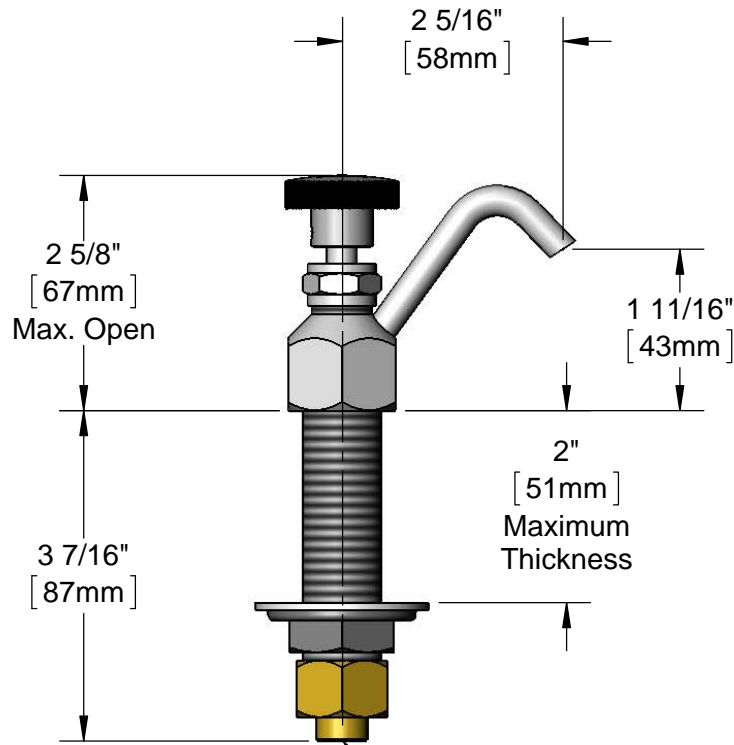
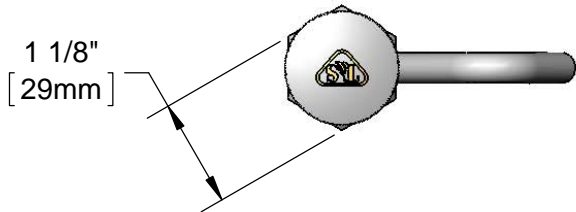
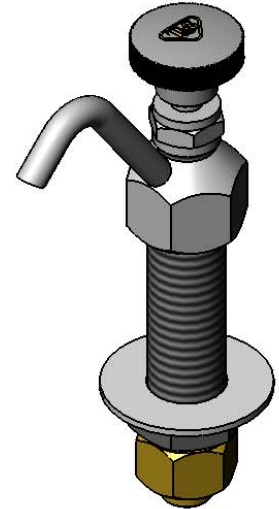
Job Name \_\_\_\_\_ Date \_\_\_\_\_

Model Specified \_\_\_\_\_ Quantity \_\_\_\_\_

Customer/Wholesaler \_\_\_\_\_

Contractor \_\_\_\_\_

Architect/Engineer \_\_\_\_\_



5/16" I.D. for Sweat Fitting  
 or Remove Coupling for  
 1/2" NPSM Male Shank

Rough-In Requirements:  
 $\phi$ 7/8" [22mm] Hole

Product Specifications:  
 Dipperwell Faucet

Drawn <b>DMH</b>	Checked <b>KJG</b>	Approved <b>JHB</b>
Scale: <b>1:2</b>		Date: <b>05/22/13</b>