



T&S BRASS AND BRONZE WORKS, INC.

2 Saddleback Cove / P.O. Box 1088
Travelers Rest, SC 29690



REG. #A2601
ISO #9001

Model No.

B-2187

Item No.

Travelers Rest, SC: 800-476-4103 • Simi Valley, CA: 800-423-0150 • Fax: 864-834-3518 • www.tsbrass.com

This Space for Architect/Engineer Approval

Job Name _____ Date _____

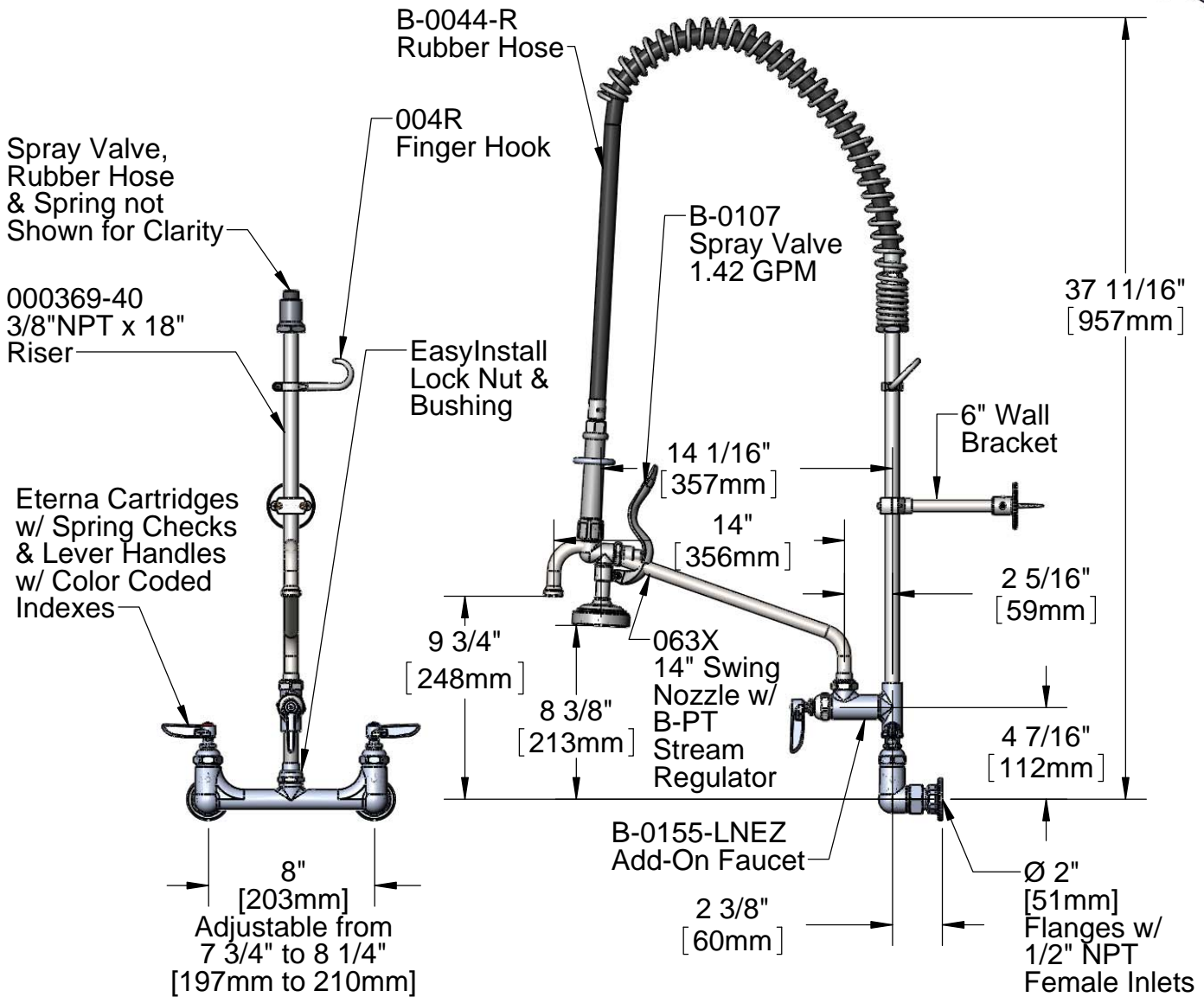
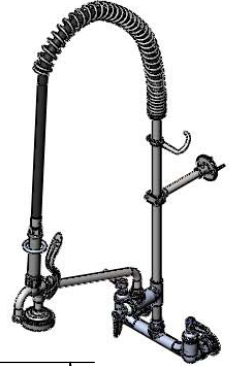
Model Specified _____ Quantity _____

Customer/Wholesaler _____

Contractor _____

Architect/Engineer _____

EPAct2005 COMPLIANT



Product Specifications:
EasyInstall Pre-Rinse Wall Mount Mixing Faucet, Eterna Cartridges w/ Spring Checks, B-0044-R Rubber Hose, B-0107 Spray Valve & Add-On Faucet, 6" Wall Bracket w/ 063X Swivel Nozzle

| | | |
|--------|----------|----------|
| Drawn | Checked | Approved |
| JRM | DMH | JHB |
| Scale: | Date: | |
| 1:8 | 07/14/11 | |