



T&S BRASS AND BRONZE WORKS, INC.

2 Saddleback Cove / P.O. Box 1088
Travelers Rest, SC 29690

Model No.

B-1146-02A

Item No.

Travelers Rest, SC: 800-476-4103 • Simi Valley, CA: 800-423-0150 • Fax: 864-834-3518 • www.tsbrass.com

This Space for Architect/Engineer Approval

Job Name _____ Date _____

Model Specified _____ Quantity _____

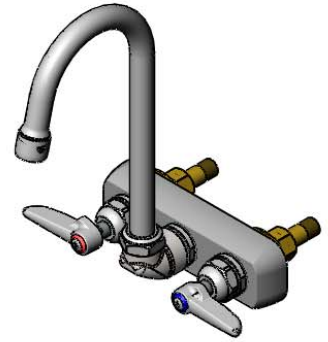
Customer/Wholesaler _____

Contractor _____

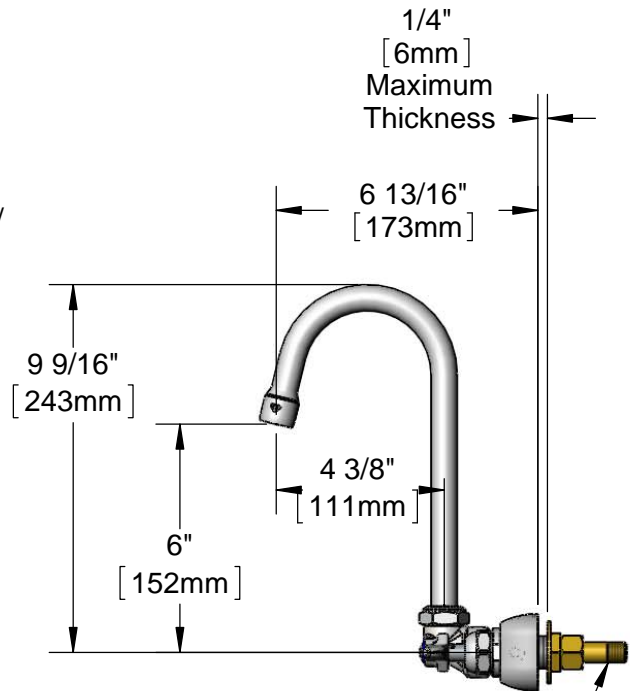
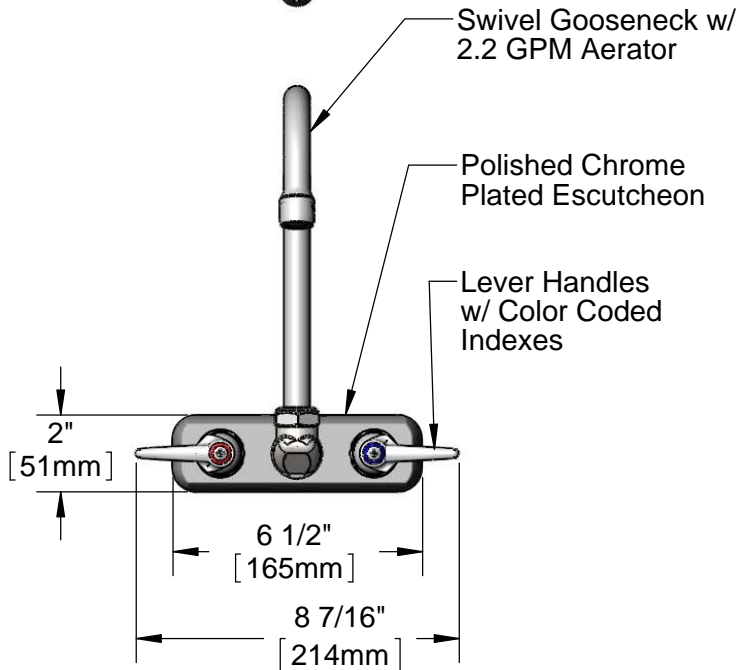
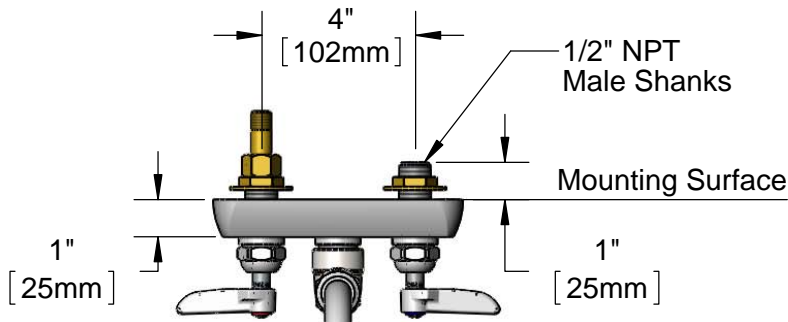
Architect/Engineer _____



ADA Compliant



B-1100-K
Elbow Kit w/
(2) 1/2" NPT Male
90° Elbows
(Sold Separately)



(2) 150A
Optional Tailpiece and
Nut for 1/4" NPT
Connection (Included)

Rough-In Requirement:
(2) ϕ 1" [25mm] Mounting Holes

Product Specifications:
4" Wall Mount Workboard Faucet w/ Lever Handles, Swivel Gooseneck
w/ 2.2 GPM Aerator & 1/2" NPT Male Shanks

Drawn KJG	Checked JRM	Approved JHB
Scale: 1:5		Date: 08/27/12