



T&S BRASS AND BRONZE WORKS, INC.

2 Saddleback Cove / P.O. Box 1088
Travelers Rest, SC 29690



REG. #A2601
ISO #9001

Model No.

B-1142-04

Item No.

Travelers Rest, SC: 800-476-4103 • Simi Valley, CA: 800-423-0150 • Fax: 864-834-3518 • www.tsbrass.com

This Space for Architect/Engineer Approval

Job Name _____ Date _____

Model Specified _____ Quantity _____

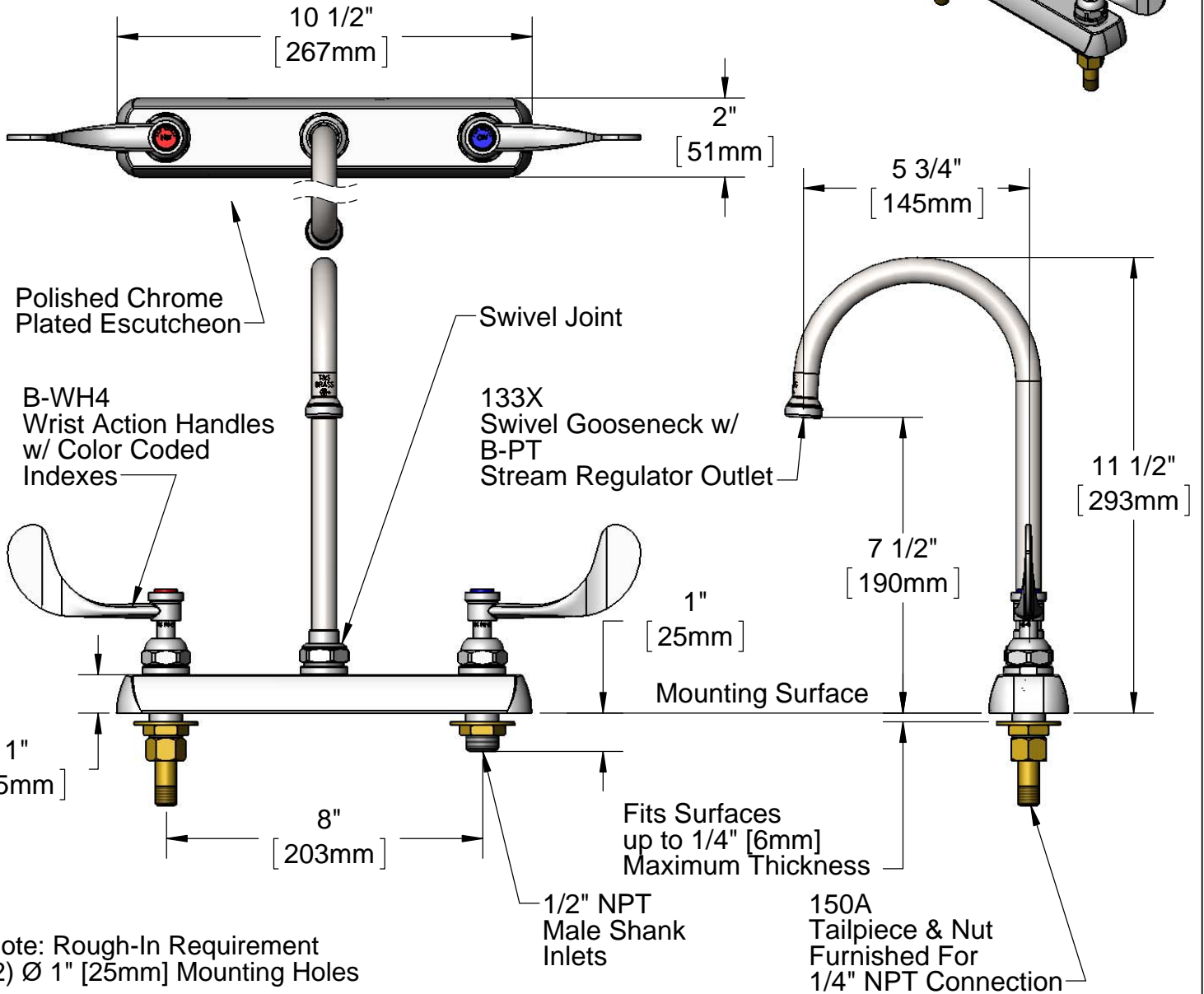
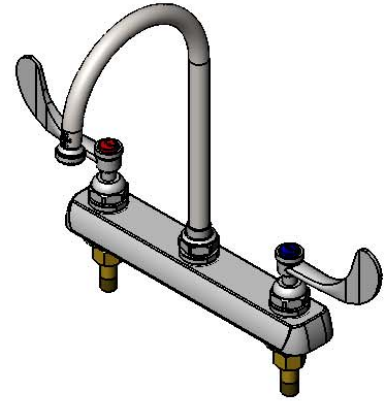
Customer/Wholesaler _____

Contractor _____

Architect/Engineer _____



ADA Compliant



Product Specifications:

8" Centers Workboard Faucet w/ 1/2" NPT Male Shank Inlets, Wrist Action Handles & 6" Swivel Gooseneck w/ B-PT Stream Regulator Outlet

Drawn

DHL

Checked

KJG

Approved

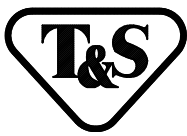
JHB

Scale:

1:4

Date:

07/01/11



T&S BRASS AND BRONZE WORKS, INC.

2 SADDLEBACK COVE / P.O. BOX 1088 / TRAVELERS REST, SC 29690

PHONE 800-476-4103

FAX 864- 834-3518



REG. #A2601
ISO #9002

Model No.

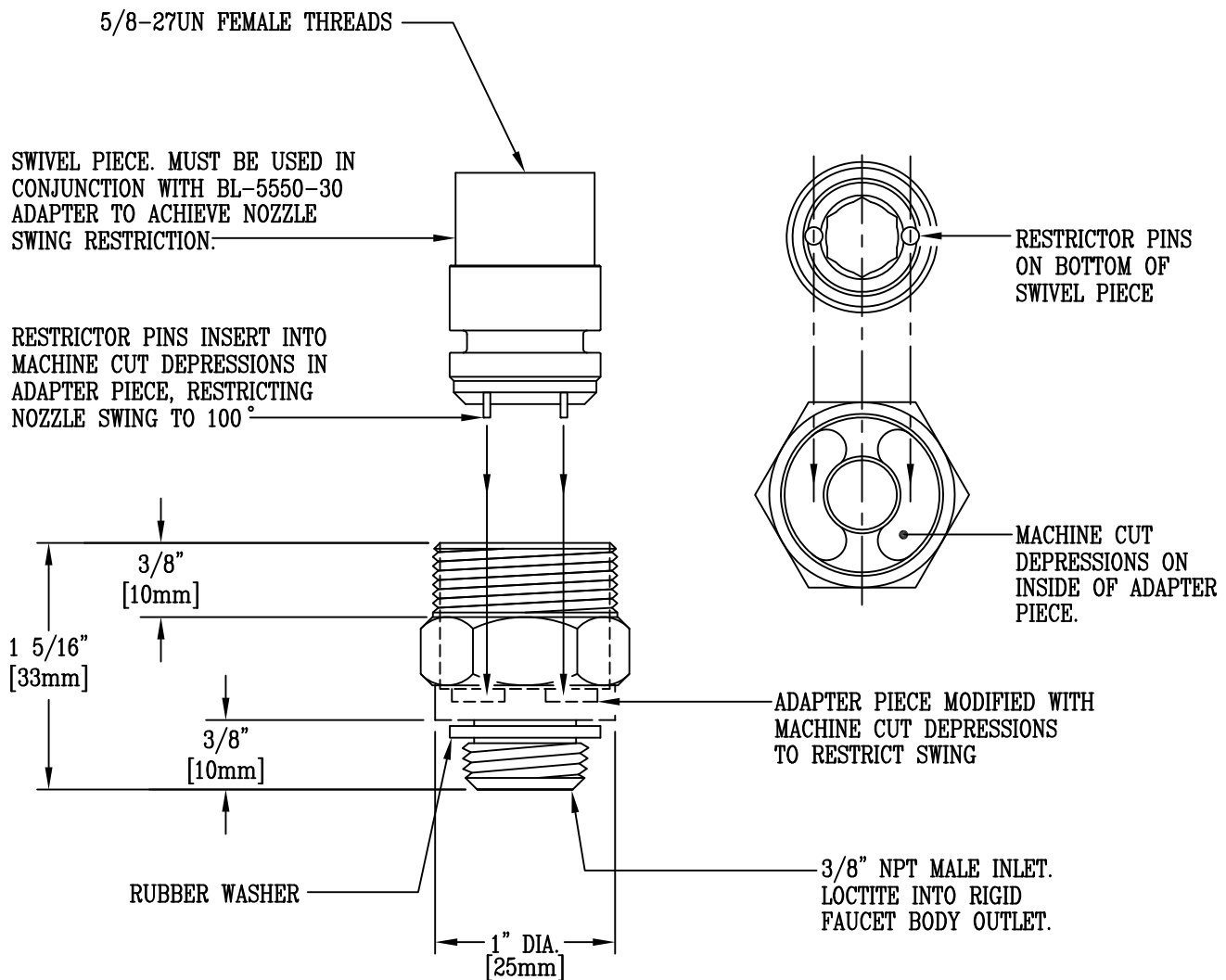
BL-5550-30

Item No.:

Job Name:

Architect/Engineer Approval:

Notes:



SWING GOOSENECK OR SPOUT MUST BE MODIFIED WITH ADAPTER PIECE, AND SWIVEL PIECE AS SHOWN. SWIVEL PIECE IS FITTED WITH RESTRICTOR PINS WHICH INSERT INTO SMALL, MACHINE CUT DEPRESSIONS IN BOTTOM OF ADAPTER PIECE, AND THUS RESTRICT SWING OF SWIVEL PIECE (AND NOZZLE) TO 100 DEGREE SWING (TOTAL).

Product Description:

RESTRICTED SWING ADAPTER & SWIVEL PIECE WITH 100° SWING RESTRICTION (TOTAL)

Drawn:

WJS

Checked

ARD

Scale:

1 : 1

Approved

CA

Date:

10/25/95