



**T&S BRASS AND BRONZE WORKS, INC.**  
 2 Saddleback Cove / P.O. Box 1088  
 Travelers Rest, SC 29690

Model No.  
**B-0871-VRS**

Item No.

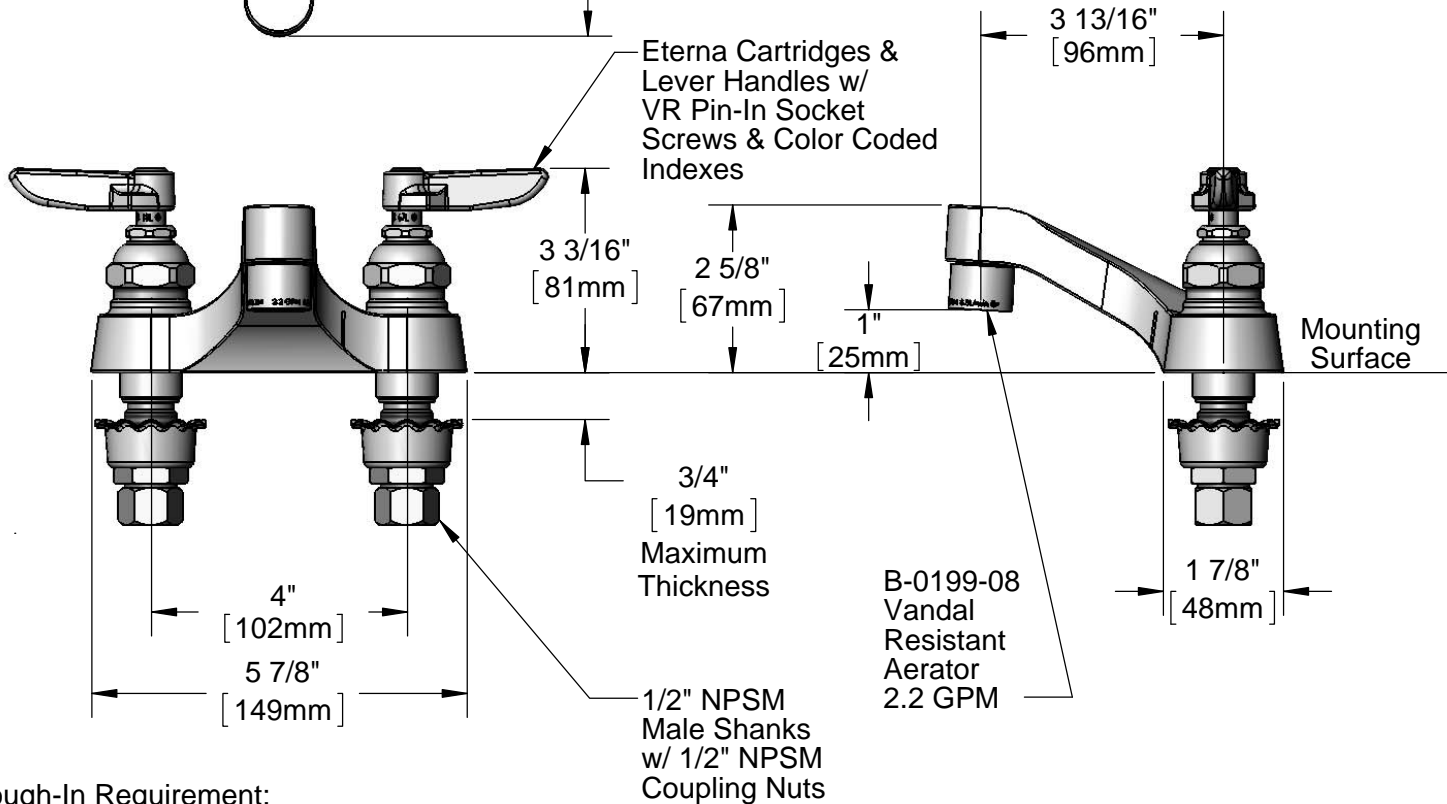
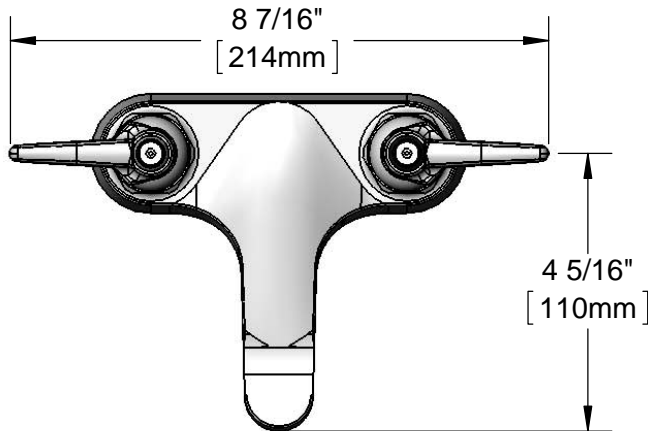
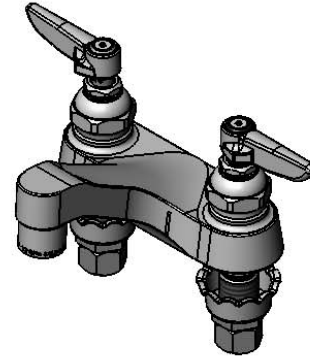
Travelers Rest, SC: 800-476-4103 • Simi Valley, CA: 800-423-0150 • Fax: 864-834-3518 • www.tsbrass.com

This Space for Architect/Engineer Approval

Job Name \_\_\_\_\_ Date \_\_\_\_\_  
 Model Specified \_\_\_\_\_ Quantity \_\_\_\_\_  
 Customer/Wholesaler \_\_\_\_\_  
 Contractor \_\_\_\_\_  
 Architect/Engineer \_\_\_\_\_



**ADA Compliant**



Rough-In Requirement:  
 (2)  $\phi$  1 1/8" [29mm] Mounting Holes

Product Specifications:  
 4" Deck Mount Cast Spout Mixing Faucet, Eterna Cartridges,  
 Lever Handles w/ Vandal Resistant Screws, Vandal Resistant  
 2.2 GPM Aerator & 1/2" NPSM Male Inlet Shanks

Drawn <b>DHL</b>	Checked <b>DMH</b>	Approved <b>JHB</b>
Scale: <b>1:3</b>		Date: <b>11/02/12</b>