



T&S BRASS AND BRONZE WORKS, INC.
 2 Saddleback Cove / P.O. Box 1088
 Travelers Rest, SC 29690

Model No.
B-0736-POL

Item No.

Travelers Rest, SC: 800-476-4103 • Simi Valley, CA: 800-423-0150 • Fax: 864-834-3518 • www.tsbrass.com

This Space for Architect/Engineer Approval

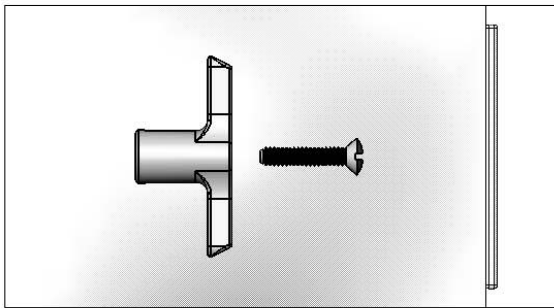
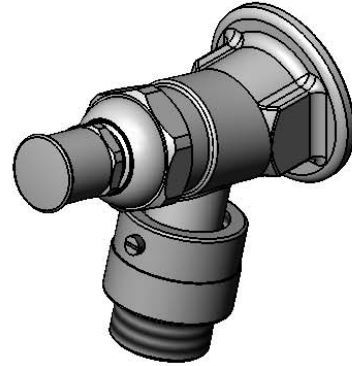
Job Name _____ Date _____

Model Specified _____ Quantity _____

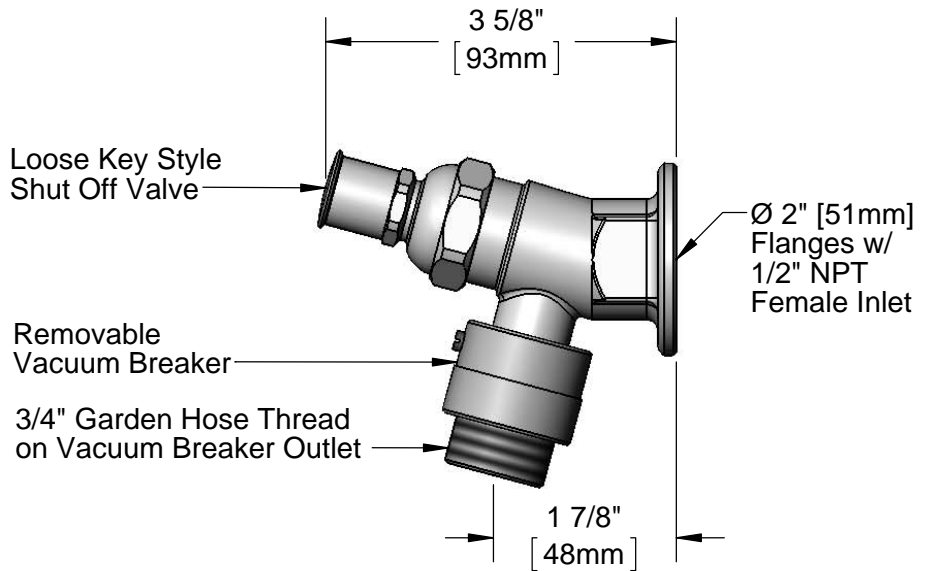
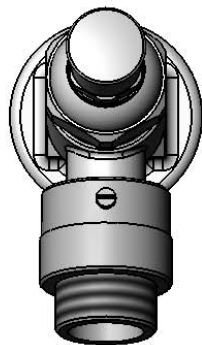
Customer/Wholesaler _____

Contractor _____

Architect/Engineer _____



T-Handle Kit w/ Mounting Screw
 For Supply Stop



Product Specifications:

Polish Chrome Sill Faucet w/ Loose Key Style Shut Off Valve,
 3/4" Garden Hose Thread on Removable Vacuum Breaker Outlet
 & 1/2" Female Inlet

Drawn

DHL

Checked

DMH

Approved

JHB

Scale:

1:2

Date:

08/29/12