



T&S BRASS AND BRONZE WORKS, INC.

2 Saddleback Cove / P.O. Box 1088
 Travelers Rest, SC 29690

Model No.

B-0711

Item No.

Travelers Rest, SC: 800-476-4103 • Simi Valley, CA: 800-423-0150 • Fax: 864-834-3518 • www.tsbrass.com

This Space for Architect/Engineer Approval

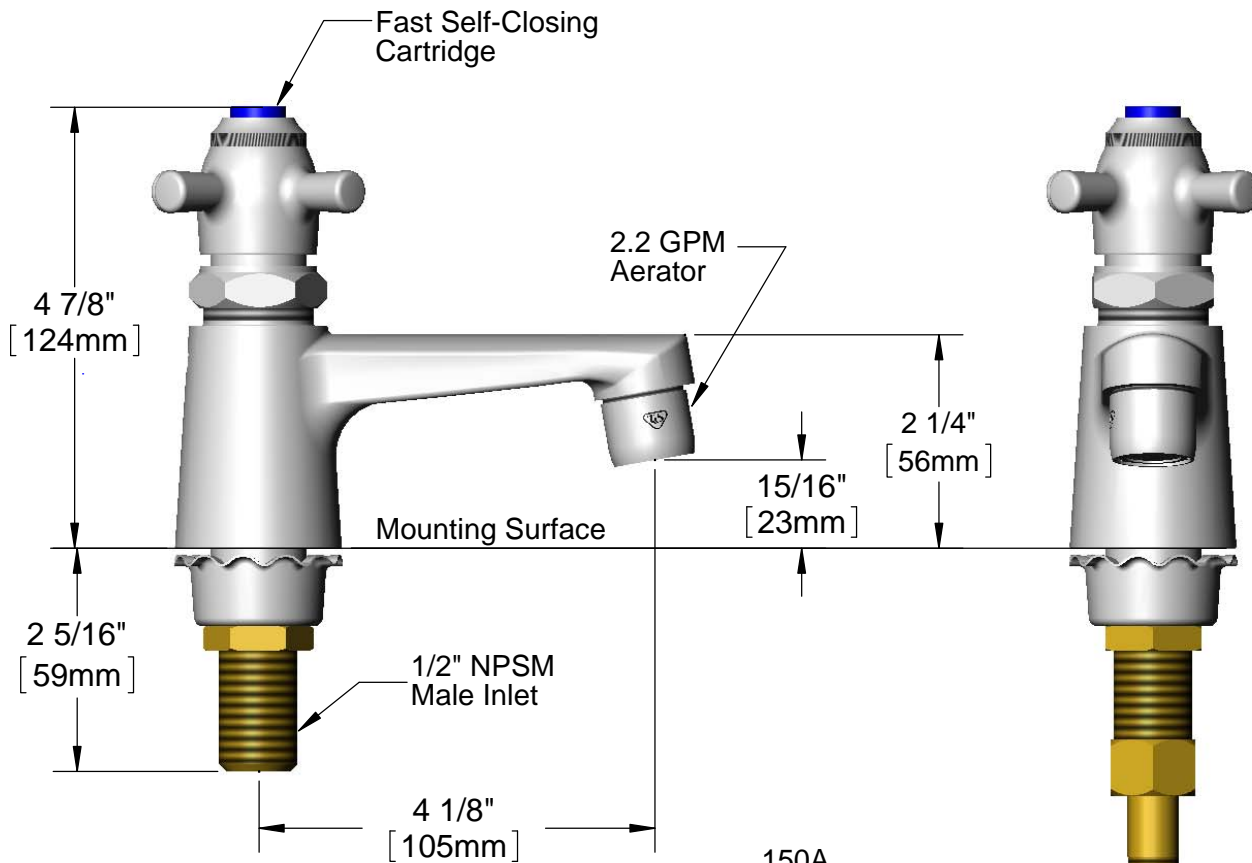
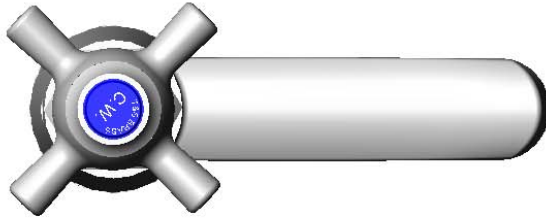
Job Name _____ Date _____

Model Specified _____ Quantity _____

Customer/Wholesaler _____

Contractor _____

Architect/Engineer _____



Note: Rough-In Requirement
 Ø 1 1/8" [29mm] Mounting Hole

Product Specifications:
 Single Temperature Basin Faucet w/ 1/2" NPSM Male Shank,
 Fast Self-Closing Handle, and 2.2 GPM Aerator

Drawn DHL	Checked GEF	Approved JHB
Scale: 1:2		Date: 02/22/13