



# T&S BRASS AND BRONZE WORKS, INC.

2 Saddleback Cove / P.O. Box 1088  
Travelers Rest, SC 29690



REG. #A2601  
ISO #9001

Model No.

**B-0674-POL**

Item No.

Travelers Rest, SC: 800-476-4103 • Simi Valley, CA: 800-423-0150 • Fax: 864-834-3518 • www.tsbrass.com

This Space for Architect/Engineer Approval

Job Name \_\_\_\_\_ Date \_\_\_\_\_

Model Specified \_\_\_\_\_ Quantity \_\_\_\_\_

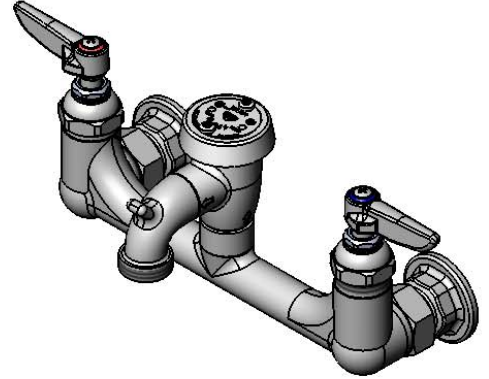
Customer/Wholesaler \_\_\_\_\_

Contractor \_\_\_\_\_

Architect/Engineer \_\_\_\_\_



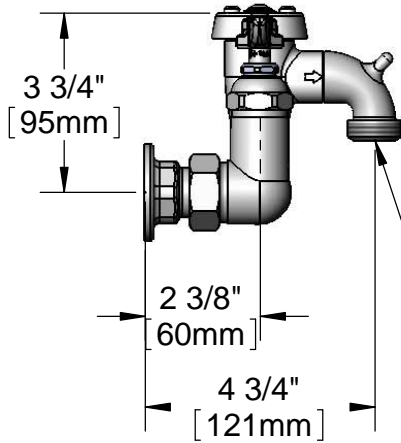
**ADA Compliant**



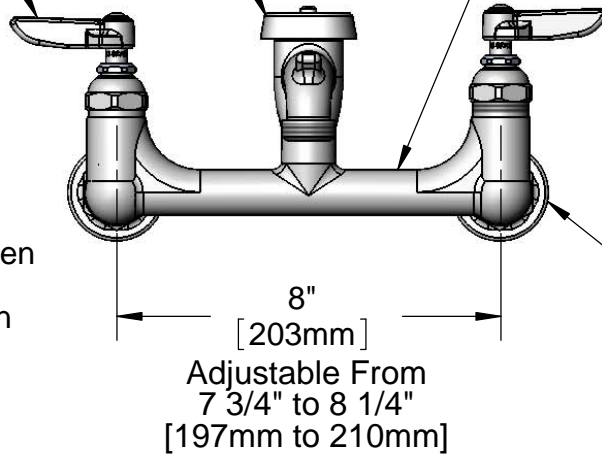
Eterna Cartridges  
w/ Spring Check &  
Lever Handles w/  
Color Coded Indexes

B-0969  
1/2" NPT  
Atmospheric  
Vacuum  
Breaker

Polished Chrome  
Finish on Faucet  
Body & Spout



Male Garden  
Hose  
Connection



Ø 2" [51mm]  
Flanges w/  
1/2" NPT  
Female Inlets

Product Specifications:  
Polished Chrome Service Sink, Eterna Cartridges  
w/ Spring Checks, Lever Handles

Drawn

**DHL**

Checked

**KJG**

Approved

**JHB**

Scale:

**1:4**

Date:

**09/22/11**