



T&S BRASS AND BRONZE WORKS, INC.

2 Saddleback Cove / P.O. Box 1088
Travelers Rest, SC 29690



REG. #A2601
ISO #9001

Model No.
B-0666-RGH

Item No.

Travelers Rest, SC: 800-476-4103 Simi Valley, CA: 800-423-0150 Fax: 864-834-3518 www.tsbrass.com

This Space for Architect/Engineer Approval

Job Name _____ Date _____

Model Specified _____ Quantity _____

Customer/Wholesaler _____

Contractor _____

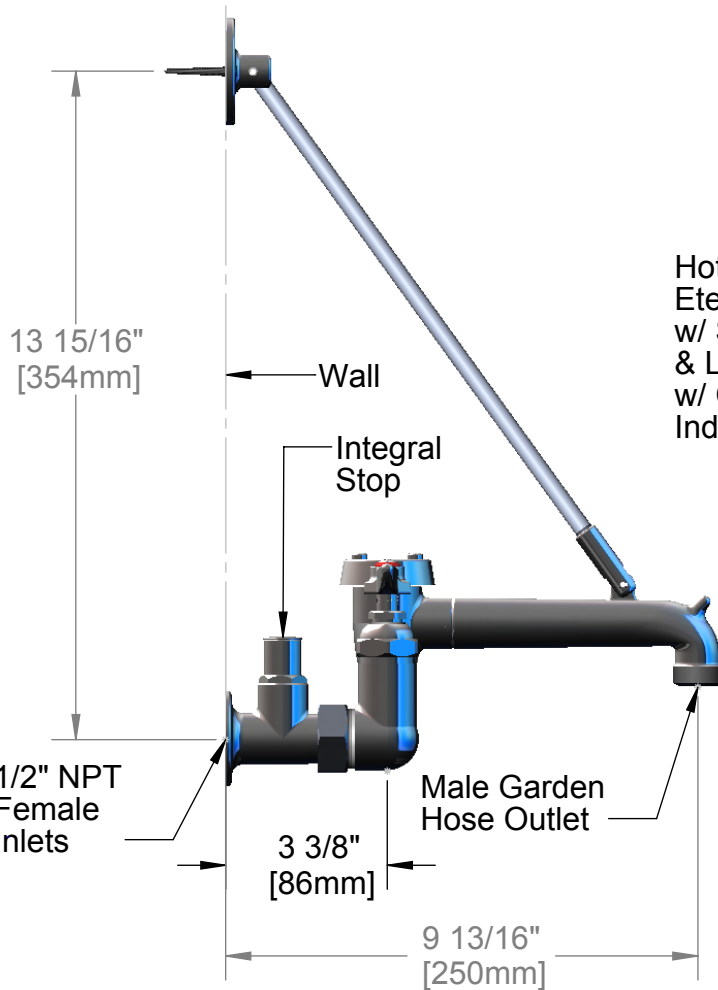
Architect/Engineer _____

Support Rod Asm. Furnished w/
Wall Bracket and Mounting Screws



ADA Compliant

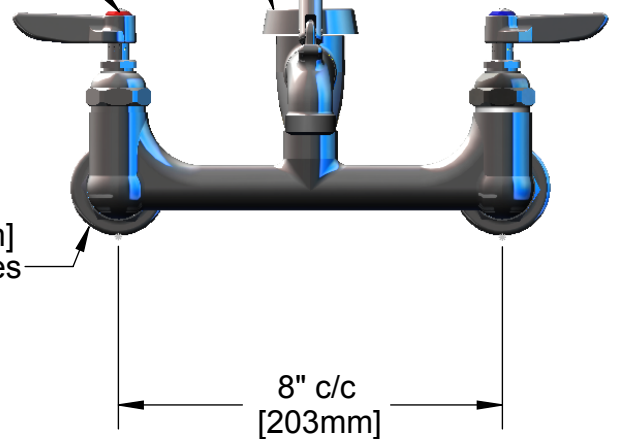
Hot & Cold
Eterna Cartridges
w/ Spring Checks
& Lever Handles
w/ Color Coded
Indexes



B-0969
1/2" Vacuum Breaker

Wall Brace
Not Shown

Ø2"
[51mm]
Flanges



Product Specifications:

Service Sink Faucet, Rough Chrome Finish, Lever Handles, Integral Stops, Vacuum Breaker, Wall Brace Assembly, 1/2" NPT Female Inlets & Male Garden Hose Outlet

Drawn
DHL

Checked
GEF

Approved
JHB

Scale:

1:4

Date:

5/16/08