



**T&S BRASS AND BRONZE WORKS, INC.**  
 2 Saddleback Cove / P.O. Box 1088  
 Travelers Rest, SC 29690

Model No.  
**B-0594**

Item No.

Travelers Rest, SC: 800-476-4103 • Simi Valley, CA: 800-423-0150 • Fax: 864-834-3518 • www.tsbrass.com

This Space for Architect/Engineer Approval

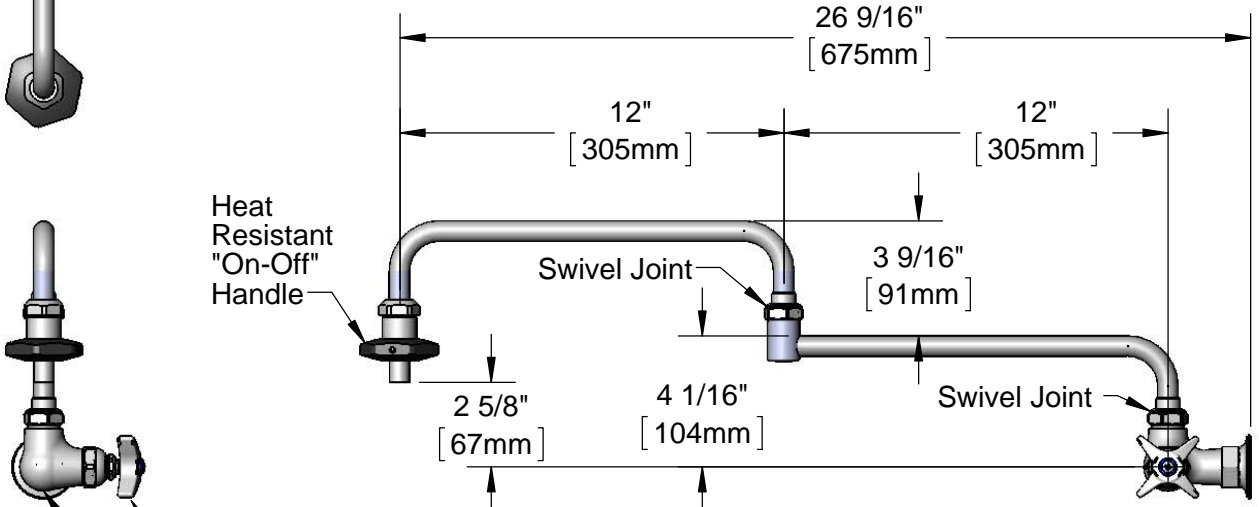
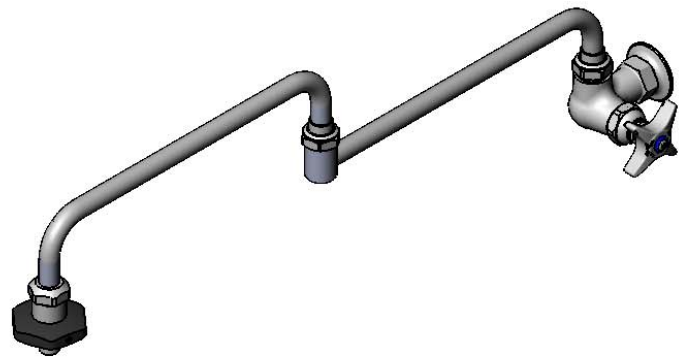
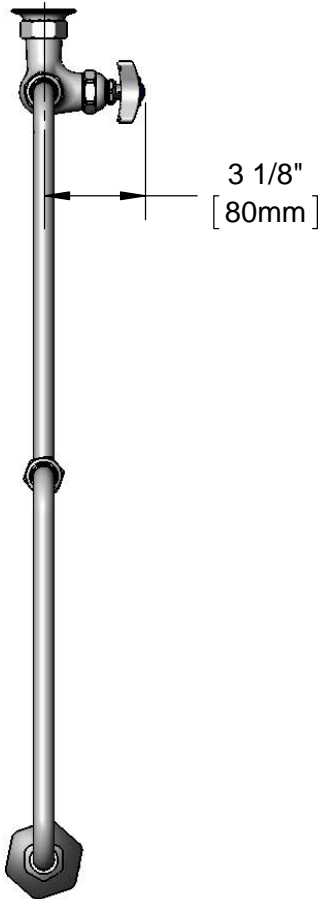
Job Name \_\_\_\_\_ Date \_\_\_\_\_

Model Specified \_\_\_\_\_ Quantity \_\_\_\_\_

Customer/Wholesaler \_\_\_\_\_

Contractor \_\_\_\_\_

Architect/Engineer \_\_\_\_\_



Heat Resistant "On-Off" Handle

Swivel Joint

3 9/16" [91mm]

Swivel Joint

2 5/8" [67mm]

4 1/16" [104mm]

Eterna Cartridge & 4-Arm Handle w/ Blue Index

Ø 2" [51mm] Flange w/ 1/2" NPT Female Inlet

Product Specifications:  
 Pot Filler Faucet w/ 4-Arm Handle, Double Joint Swing Nozzle, Heat Resistant Handle & 1/2" NPT Female Inlet

Product Compliance:  
 ASME A112.18.1 / CSA B125.1  
 NSF 61 - Section 9  
 NSF 372 (Low Lead Content)



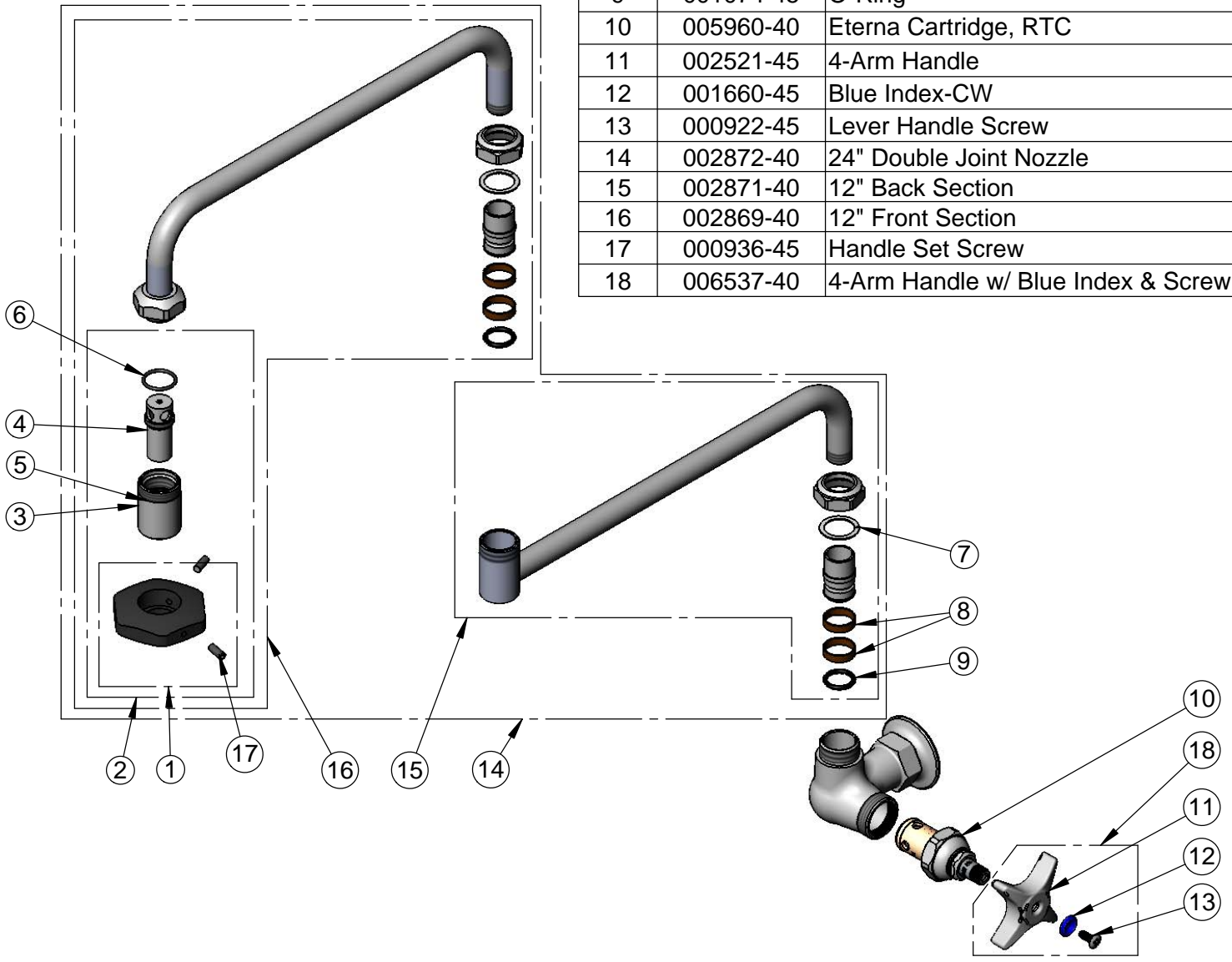
**T&S BRASS AND BRONZE WORKS, INC.**  
 2 Saddleback Cove / P.O. Box 1088  
 Travelers Rest, SC 29690

Model No.  
**B-0594**

Item No.

Travelers Rest, SC: 800-476-4103 • Simi Valley, CA: 800-423-0150 • Fax: 864-834-3518 • www.tsbrass.com

ITEM NO.	SALES NO.	DESCRIPTION
1	001126-20	Handle w/ (2) Set Screws
2	035A	Outlet
3	000587-25	Spout Body
4	001498-25	Spout
5	001089-45	Seal
6	003426-45	O-Ring
7	009538-45	Swivel Washer
8	011429-45	Swivel Sleeves (2)
9	001074-45	O-Ring
10	005960-40	Eterna Cartridge, RTC
11	002521-45	4-Arm Handle
12	001660-45	Blue Index-CW
13	000922-45	Lever Handle Screw
14	002872-40	24" Double Joint Nozzle
15	002871-40	12" Back Section
16	002869-40	12" Front Section
17	000936-45	Handle Set Screw
18	006537-40	4-Arm Handle w/ Blue Index & Screw



Product Specifications:  
 Pot Filler Faucet w/ 4-Arm Handle, Double Joint Swing Nozzle, Heat Resistant Handle & 1/2" NPT Female Inlet

Product Compliance:  
 ASME A112.18.1 / CSA B125.1  
 NSF 61 - Section 9  
 NSF 372 (Low Lead Content)