



# T&S BRASS AND BRONZE WORKS, INC.

2 Saddleback Cove / P.O. Box 1088  
Travelers Rest, SC 29690

Model No.

**B-0290**

Item No.

Travelers Rest, SC: 800-476-4103 • Simi Valley, CA: 800-423-0150 • Fax: 864-834-3518 • www.tsbrass.com



**ADA Compliant**

This Space for Architect/Engineer Approval

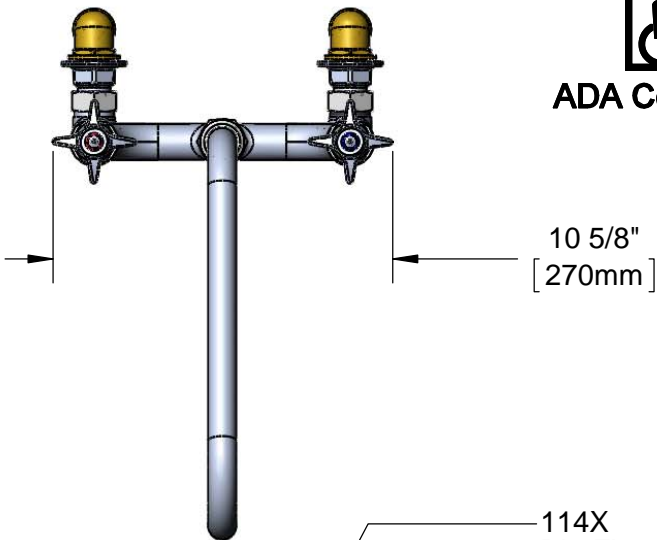
Job Name \_\_\_\_\_ Date \_\_\_\_\_

Model Specified \_\_\_\_\_ Quantity \_\_\_\_\_

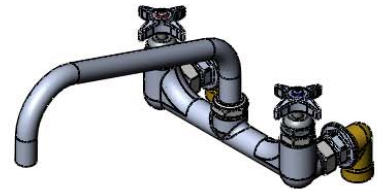
Customer/Wholesaler \_\_\_\_\_

Contractor \_\_\_\_\_

Architect/Engineer \_\_\_\_\_

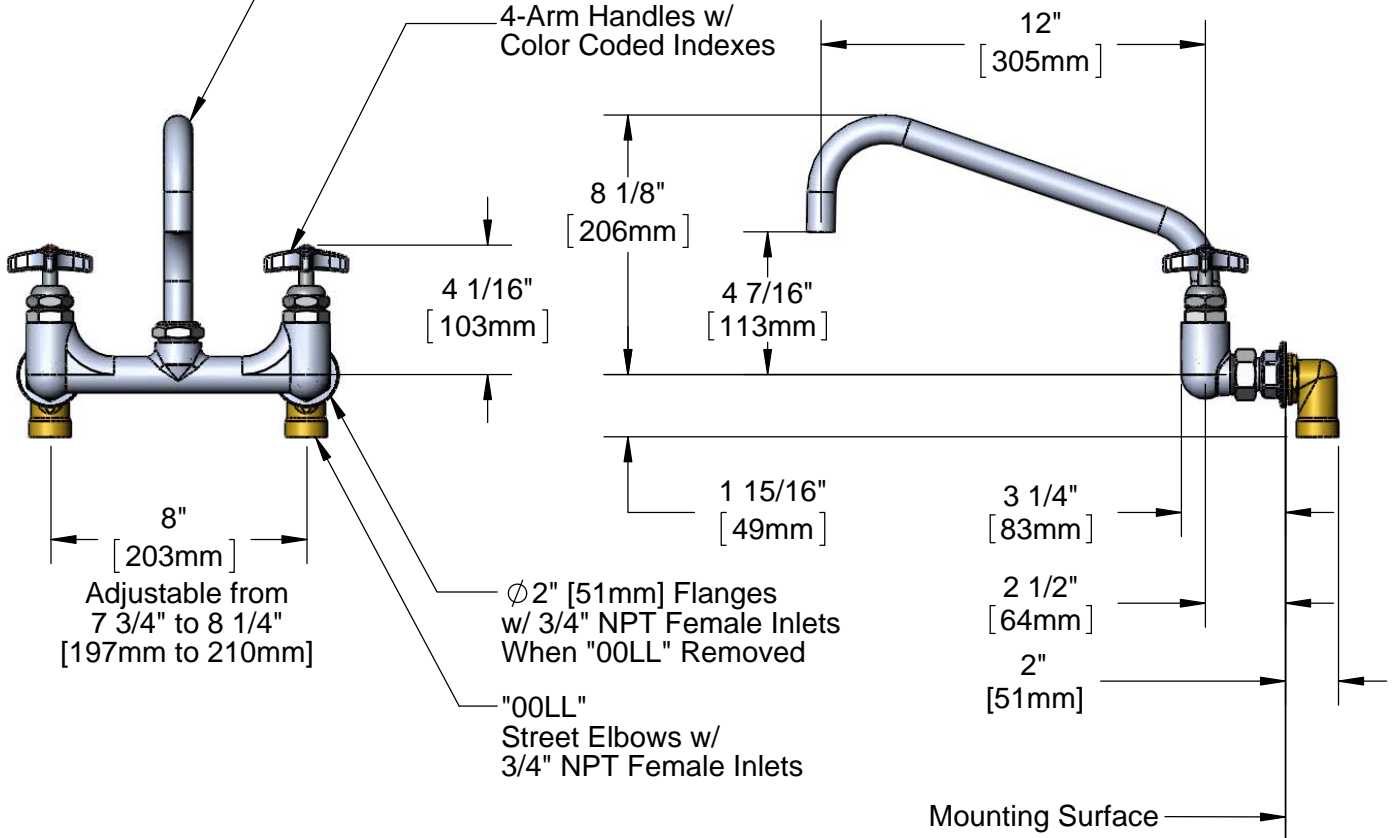


10 5/8"  
[270mm]



114X  
Big-Flo 12" Swing Nozzle  
w/ Plain End Outlet

4-Arm Handles w/  
Color Coded Indexes



**Product Specifications:**

Kettle & Pot Sink Mixing Faucet w/ Big-Flo 12" Swing Nozzle, Plain End Outlet, 4-Arm Kitchen Handles & 3/4" NPT Street Elbows

Drawn

**DHL**

Checked

**DMH**

Approved

**JHB**

Scale:

**1:4**

Date:

**02/11/13**