



T&S BRASS AND BRONZE WORKS, INC.

2 Saddleback Cove / P.O. Box 1088
Travelers Rest, SC 29690

Model No.

B-0202

Item No.

Travelers Rest, SC: 800-476-4103 • Simi Valley, CA: 800-423-0150 • Fax: 864-834-3518 • www.tsbrass.com



ADA Compliant

This Space for Architect/Engineer Approval

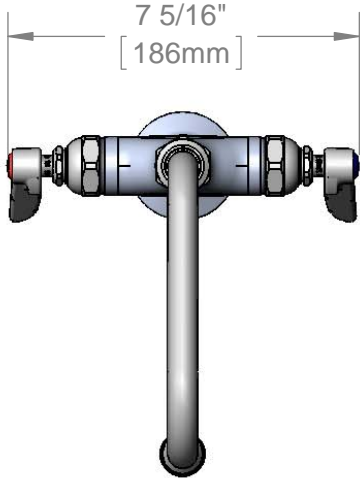
Job Name _____ Date _____

Model Specified _____ Quantity _____

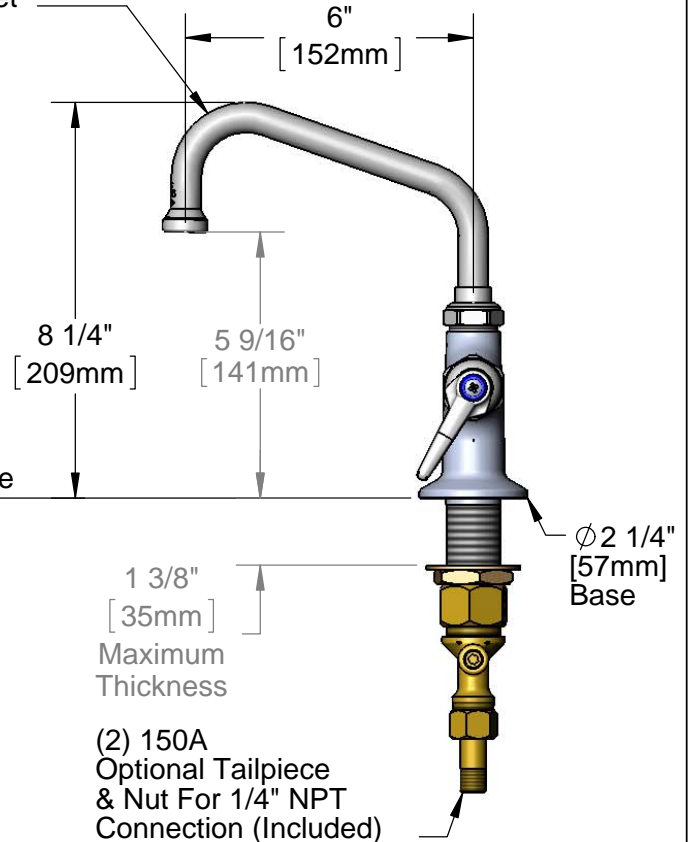
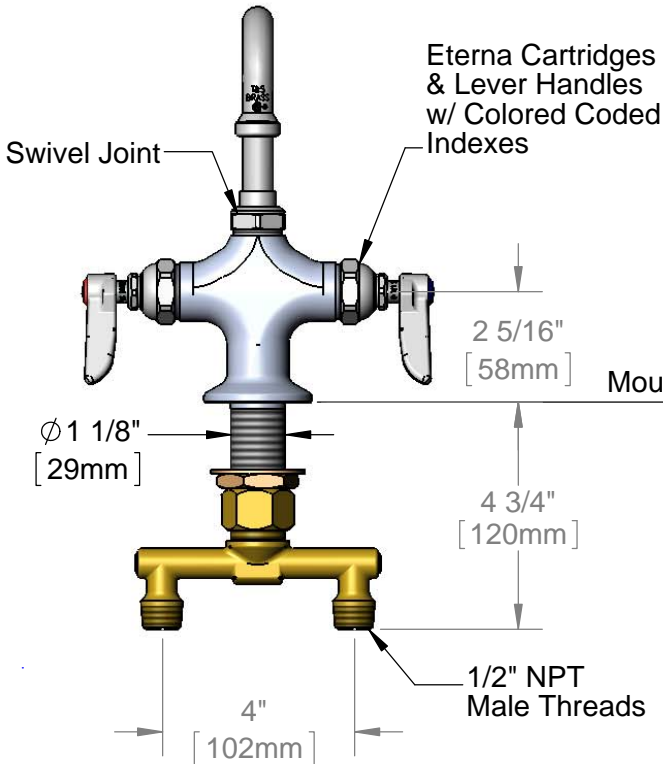
Customer/Wholesaler _____

Contractor _____

Architect/Engineer _____



059X
6" Swing Nozzle w/
Stream Regulator
Outlet



Rough-In Requirement:
Ø 1 1/2" [38mm] Mounting Hole

Product Specifications:
Single Hole Deck Mount Mixing Faucet, Eterna Cartridges, Lever
Handles, 6" Swing Nozzle & 4" Spreader w/ 1/2" NPT Male Inlets

Drawn DHL	Checked DMH	Approved JHB
---------------------	-----------------------	------------------------

Scale: 1:4	Date: 02/04/14
----------------------	--------------------------

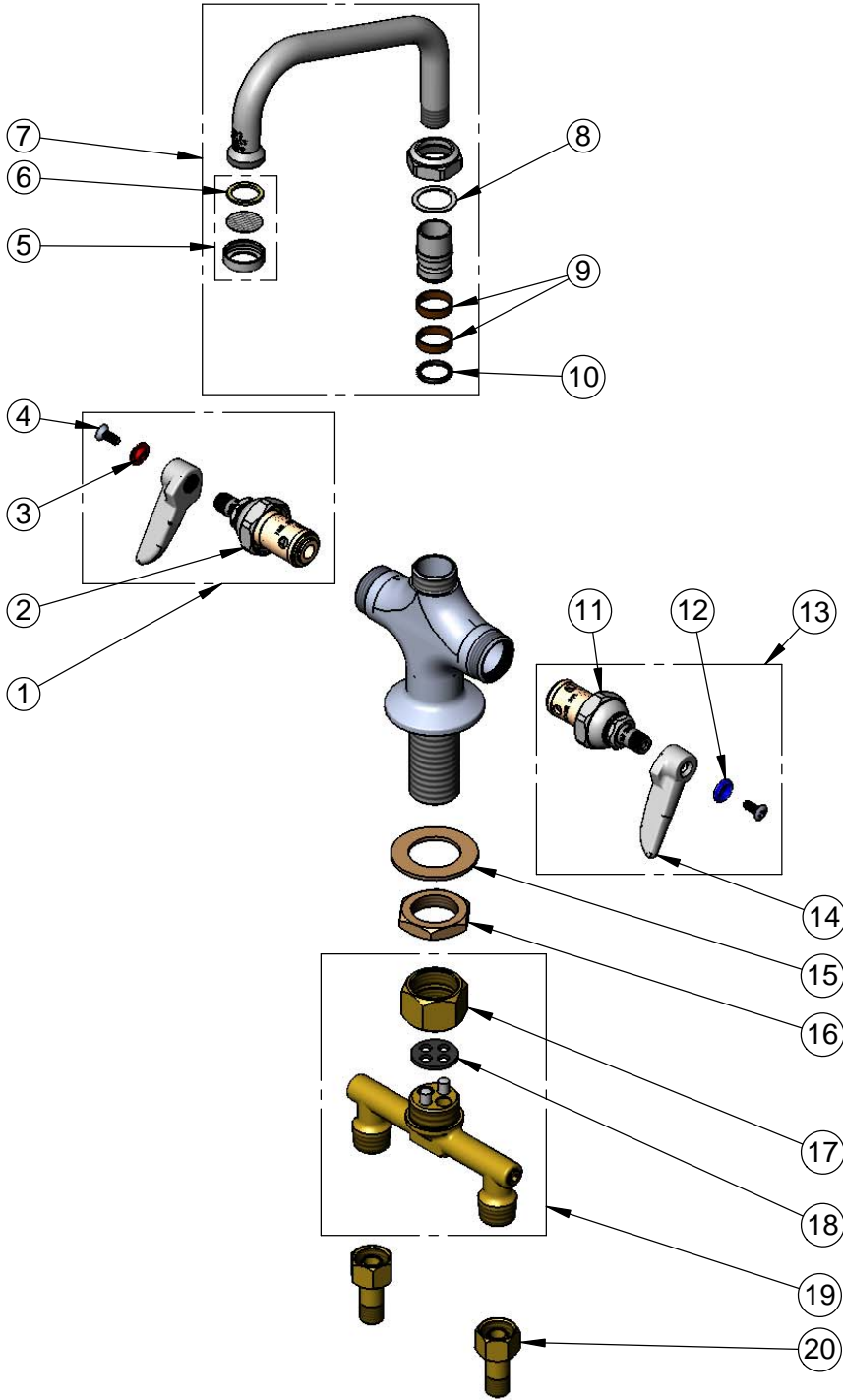


T&S BRASS AND BRONZE WORKS, INC.
 2 Saddleback Cove / P.O. Box 1088
 Travelers Rest, SC 29690

Model No.
B-0202

Item No.

Travelers Rest, SC: 800-476-4103 • Simi Valley, CA: 800-423-0150 • Fax: 864-834-3518 • www.tsbrass.com



ITEM NO.	SALES NO.	DESCRIPTION
1	002714-40	Eterna Cartridge RTC w/ Handle, Index & Screw
2	005960-40	Eterna Cartridge, RTC
3	001661-45	Red Index - HW
4	000922-45	Lever Handle Screw
5	B-PT	Stream Regulator Outlet
6	001048-45	Nozzle Tip Washer
7	059X	6" Swing Nozzle
8	009538-45	Swivel Washer
9	011429-45	Swivel Sleeves (2)
10	001074-45	O-Ring
11	005959-40	Eterna Cartridge, LTC
12	001660-45	Blue Index - CW
13	002713-40	Eterna Cartridge LTC w/ Handle, Index & Screw
14	001638-45	Lever Handle
15	002290-45	Lock Washer
16	000965-45	Lock Nut
17	000736-20	Spreader Coupler Nut
18	001041-45	Spreader Washer
19	002898-40	4" Spreader w/ 1/2" NPT Male Inlets
20	150A	1/4" NPT Tailpiece & Nut

Product Specifications:

Single Hole Deck Mount Mixing Faucet, Eterna Cartridges, Lever Handles, 6" Swing Nozzle & 4" Spreader w/ 1/2" NPT Male Inlets

Drawn DHL	Checked DMH	Approved JHB
---------------------	-----------------------	------------------------

Scale: NTS	Date: 02/04/14
----------------------	--------------------------