



**T&S BRASS AND BRONZE WORKS, INC.**

2 Saddleback Cove / P.O. Box 1088  
Travelers Rest, SC 29690

Model No.

**B-0133-ADF12**

Item No.

Travelers Rest, SC: 800-476-4103 • Simi Valley, CA: 800-423-0150 • Fax: 864-834-3518 • www.tsbrass.com

**EPAct2005 COMPLIANT**

This Space for Architect/Engineer Approval

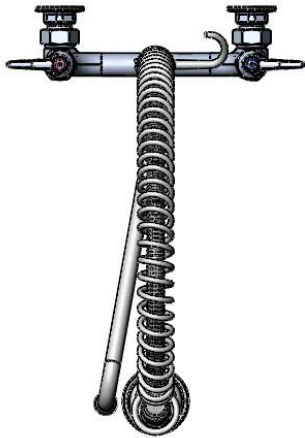
Job Name \_\_\_\_\_ Date \_\_\_\_\_

Model Specified \_\_\_\_\_ Quantity \_\_\_\_\_

Customer/Wholesaler \_\_\_\_\_

Contractor \_\_\_\_\_

Architect/Engineer \_\_\_\_\_



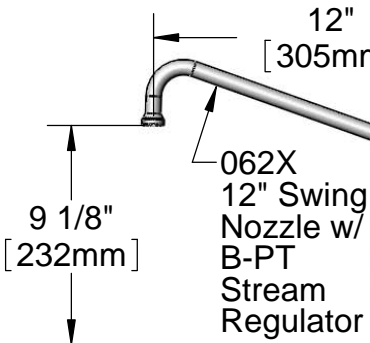
Flex Hose, Overhead Spring, & Spray Valve Not Shown for Clarity

004R Finger Hook

B-0044-H Stainless Steel Flex Hose w/ Polyurethane Inner Hose

000369-40 3/8" NPT x 18" Riser

37 11/16" [957mm]



B-0107 Spray Valve 1.42 GPM

14 1/16" [357mm]

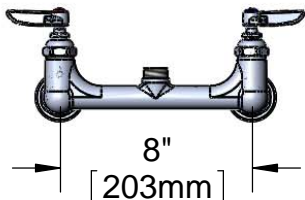
2 5/16" [59mm]

9 1/8" [232mm]

062X 12" Swing Nozzle w/ B-PT Stream Regulator

8 1/8" [206mm]

4 7/16" [112mm]



Adjustable from 7 3/4" to 8 1/4" [197mm to 210mm]

B-0155-LNEZ Add-On Faucet

2 3/8" [61mm]

Ø 2" [51mm] Flanges w/ 1/2" NPT Female Inlets

Product Specifications:

EasyInstall Pre-Rinse Wall Mount Mixing Faucet, Eterna Cartridges w/ Spring Checks, B-0044-H Stainless Steel Flex Hose, B-0107 Spray Valve & Add-On Faucet w/ 062X 12" Swing Nozzle

Drawn

JRM

Checked

DMH

Approved

JHB

Scale:

1:8

Date:

03/27/12