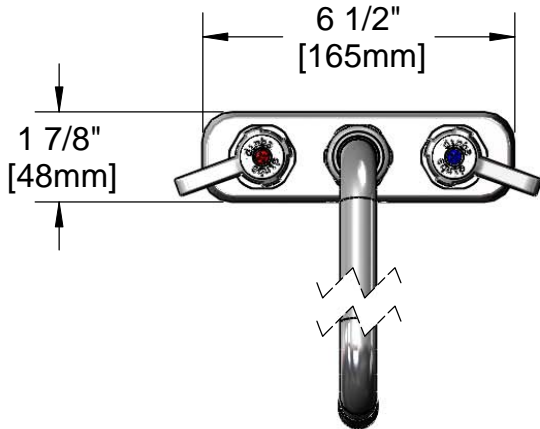
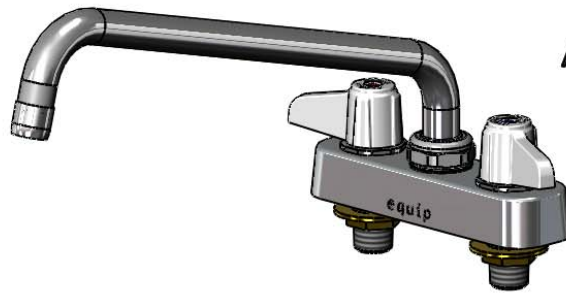


This Space for Architect/Engineer Approval

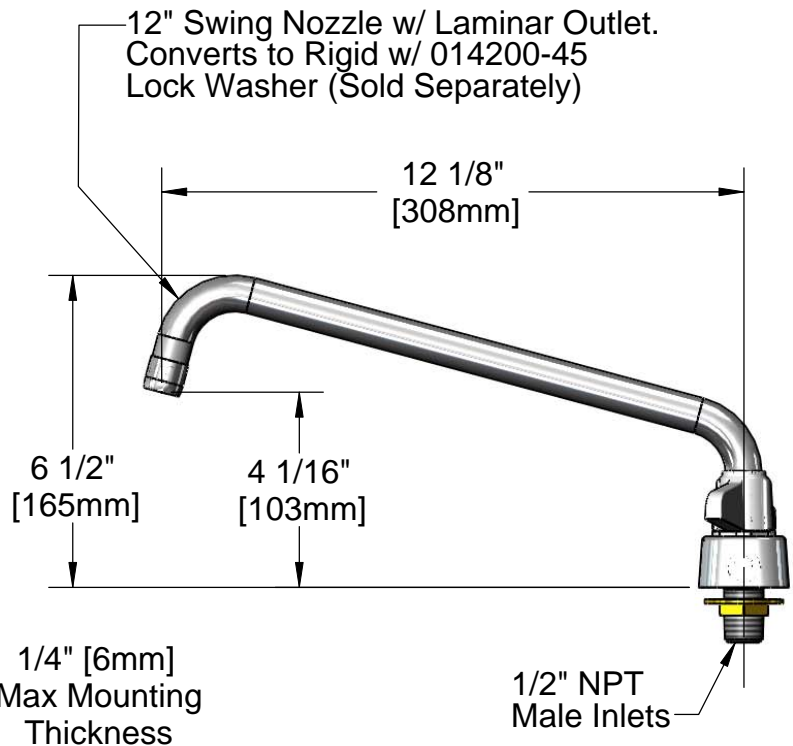
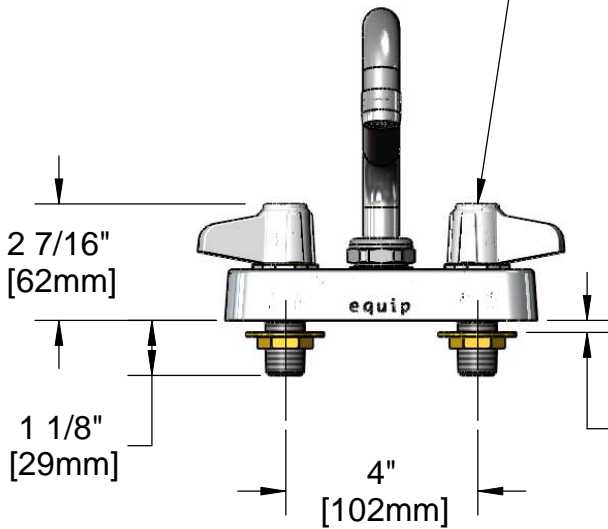
Job Name _____ Date _____
 Model Specified _____ Quantity _____
 Customer/Wholesaler _____
 Contractor _____
 Architect/Engineer _____



ADA Compliant



Ceramic Cartridges and Lever Handles w/ Color Coded Screws



Rough-in: (2) ϕ 1" [25mm] Holes

Model Number 5F-4CLX12	Date 08/27/10	Scale 1:4	Drawn DMH	Checked DHL	Approved JHB
---------------------------	------------------	--------------	--------------	----------------	-----------------

Product Specifications:

4" c/c Deck Mount Workboard Faucet w/ 12" Swing Nozzle



equip Foodservice Accessories
 2 Saddleback Cove, P.O. Box 1088
 Travelers Rest, South Carolina 29690
 Phone: 800.891.4808 Fax: 800.868.0084