

STERLING®

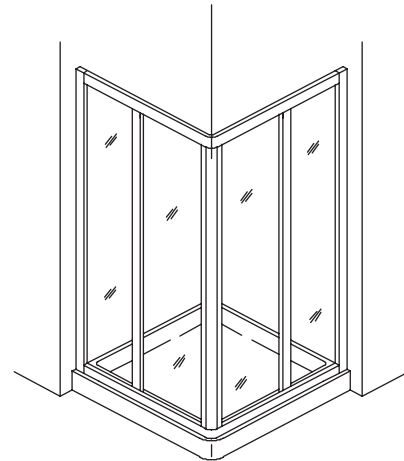
A KOHLER COMPANY

INTRIGUE™

CORNER ENTRY SHOWER DOORS SP1906A

Features

- Space-saving corner design
- Threshold directs water back into the shower and minimizes soap or lint build up
- Full length handle for easy operation
- A continuous top and bottom track creates a stylish appearance while adding stability to the shower enclosure
- Tempered glass ensures maximum safety and durability
- Cast corner brackets connect top and bottom frames for added strength and stability
- Quick and easy to install with no track cutting required
- Aluminum components extruded from alloy 6063-T5
- Stainless steel hardware prevents rusting or corrosion
- Adjust for out of plumb walls up to 3/4" (2 cm) by simply turning the adjustment block screw
- Made specifically for Sterling Intrigue Series 7205



Colors/Finishes

- Refer to the Price Book for current frame finish and glass options

Codes/Standards Applicable

Specified model meets or exceeds the following:

- ANSI Z97.1 (tempered glass)

Specified Model

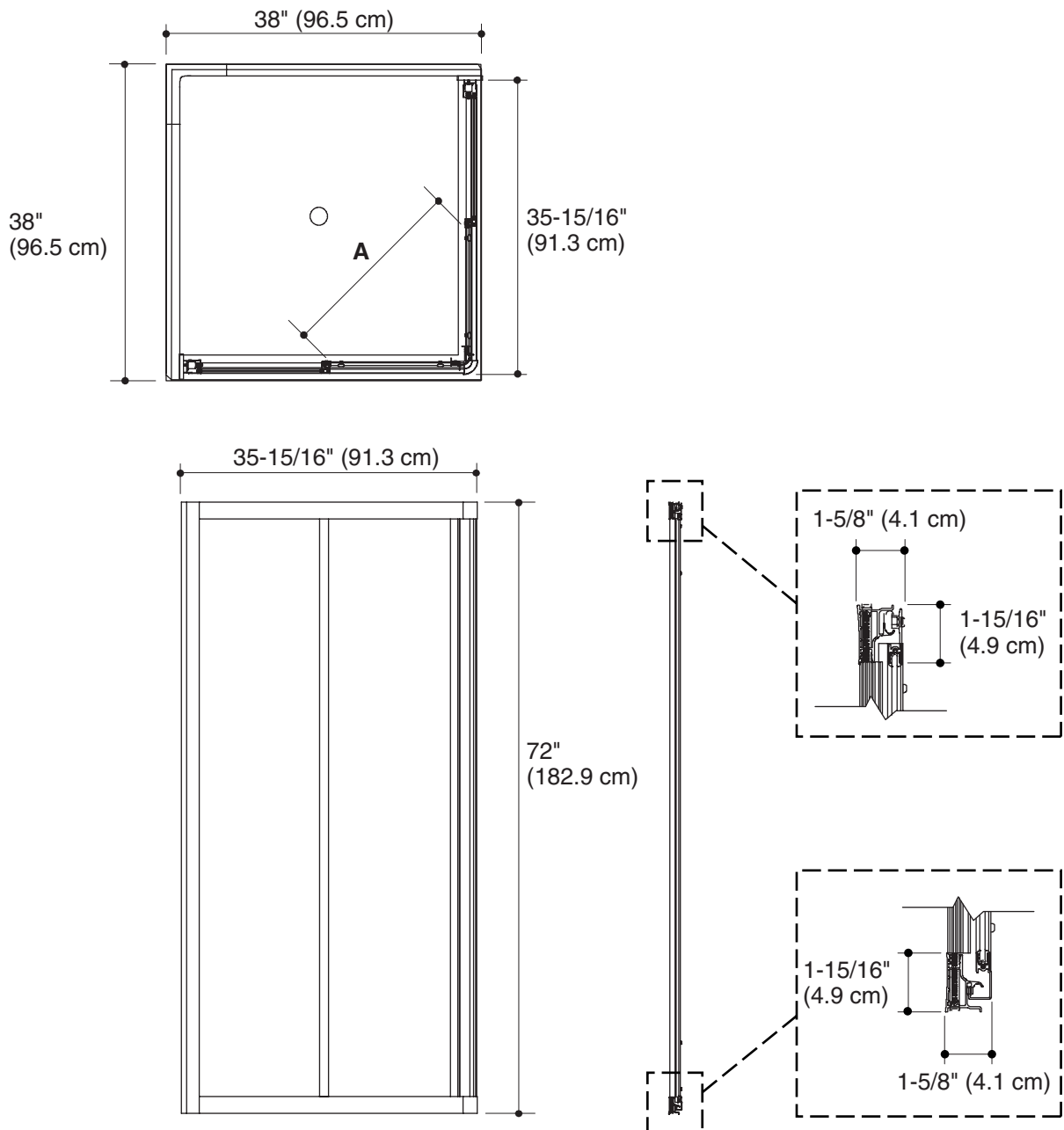
Model	Application	Glass Texture	Pattern	* Frame Colors/Finishes
SP1906A-38	Shower	Rain	None	
Note: Add appropriate frame color/finish code to the end of the unit model # when ordering				
Recommended Accessories				
72051100	Intrigue™ Corner Shower receptor only			Refer to Price Book for additional colors/finishes
72050100	Intrigue™ Corner Shower walls and receptor			

INTRIGUE™

Technical Information

Model	Width	Height	A (Walk Through Max.)
SP1906A-38	35-15/16" (91.3 cm)	72" (182.9 cm)	19-1/2" (49.5 cm)

Note: Dimensions are taken on centerline of curb/threshold at the rough opening.



Product Diagram