

STERLING®

A KOHLER COMPANY

ENSEMBLE™

Features

- Compression molded from our exclusive solid Vikrell® material
- Integral apron with removable access panel
- Durable high-gloss finish
- Pump with air switch and grounding-type plug-in cord
- 6 Jets
- Optional three-piece wall set with generous storage shelves
- 10-year consumer/3-year commercial limited warranty
- 16" (406 mm) whirlpool bath depth (floor to top of threshold)
- 60-1/4" (1530 mm) x 43-1/2" (1105 mm) x 20" (508 mm) complete unit rough-in dimensions include flange
- 60" (1524 mm) x 42" (1067 mm) x 19" (483 mm) complete unit finished dimensions include wainscot

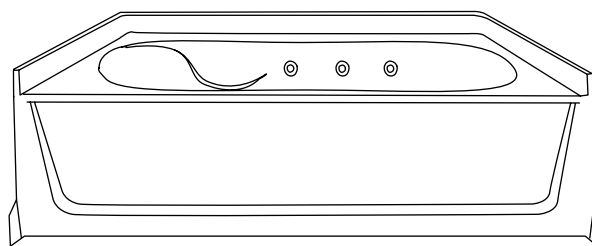
42" (1067 mm) WHIRLPOOL BATH

76111110

ALSO 76111120



MATERIAL STRENGTH.
PROVEN PERFORMANCE.™



Codes/Standards Applicable

Specified model meets or exceeds the following:

- ASME A112.19.7
- ANSI Z124.1.2
- ASTM E162
- ASTM E662
- UL 1795
- HUD, UM Bulletin 73A

Colors/Finishes

- 0: White
- Other: Refer to Price Book for additional colors/finishes

Specified Model

Model	Description	Colors/Finishes	
76111110	42" (1067 mm) whirlpool bath, left drain (shown)	<input type="checkbox"/> 0	<input type="checkbox"/> Other_____
76111120	42" (1067 mm) whirlpool bath, right drain	<input type="checkbox"/> 0	<input type="checkbox"/> Other_____

ENSEMBLE™

Technical Information

Fixture*:	
Basin area:	
Bathing well	40" (1016 mm) x 27" (686 mm)
Top area	52" (1321 mm) x 35" (889 mm)
To overflow:	
Water depth	11" (279 mm)
Capacity	55 gal (208.2 L)
* Approximate measurements for comparison only.	

Pump:	V	Hz	A
1-speed	120	60	7

Model	Door width	Door maximum height
76111110 76111120	58-1/2" (1486 mm)	*NA
* Varies with alternative walls.		

Required Electrical Service

Dedicated circuit required, protected with Class A Ground-Fault Circuit-Interrupter (GFCI):	
Pump	120 V, 15 A, 60 Hz

Installation Notes

Install this product according to the installation guide.

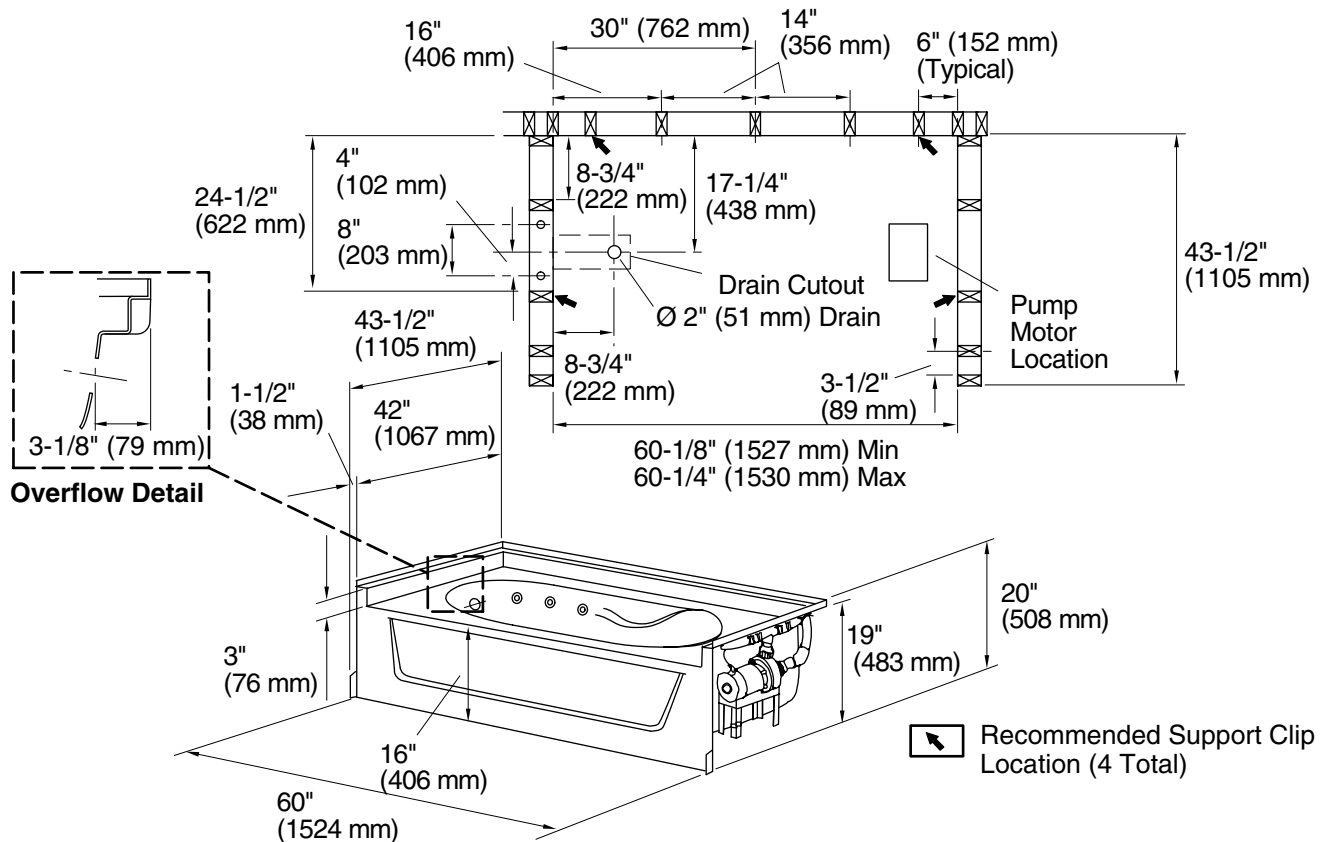
Pump is supplied with a grounding type plug-in cord. Locate the outlet behind the whirlpool, and within 24" (610 mm) of the pump.

Do not disassemble the pump or piping as this could void the warranty.

Size the drain cutout to fit the drain assembly that will be used.

End stud positioning is critical.

Studs should be positioned roughly as shown.



Product Diagram