

# STERLING®

A KOHLER COMPANY

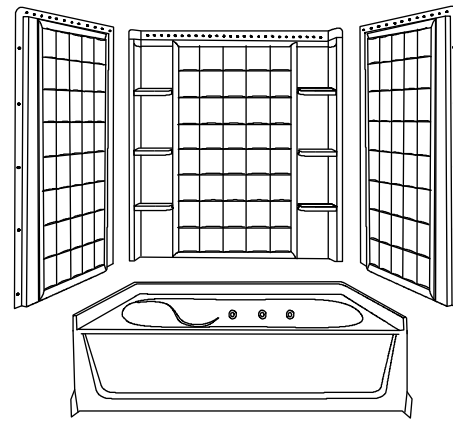
ENSEMBLE™

## Features

- Compression molded from our exclusive solid Vikrell® material
- Tongue-and-groove 4-piece modular design allows for easy "snap together" installation
- Integral apron with removable access panel
- Durable high-gloss finish
- Pump with air switch and grounding-type plug-in cord
- 6 Jets
- 10-year consumer/3-year commercial limited warranty
- 16" (406 mm) whirlpool bath depth (floor to top of threshold)
- 60-1/4" (1530 mm) x 43-1/2" (1105 mm) x 73-1/4" (1861 mm) complete unit rough-in dimensions include flange
- 60" (1524 mm) x 42" (1067 mm) x 72" (1829 mm) complete unit finished dimensions

## 42" (1067 mm) WHIRLPOOL BATH AND WALL SURROUND

**76110110**  
ALSO 76110120



## Codes/Standards Applicable

Specified model meets or exceeds the following:

- ASME A112.19.7
- ASTM E162
- ASTM E662
- CSA B45.5/IAPMO Z124
- HUD, UM Bulletin 73A
- NAHB Research Foundation, Inc.
- UL 1795

## Colors/Finishes

- 0: White
- Other: Refer to Price Book for additional colors/finishes

## Specified Model

Model	Complete Unit Description	Colors/Finishes	
76110110	42" (1067 mm) whirlpool bath and wall surround, left drain	<input type="checkbox"/> 0	<input type="checkbox"/> Other _____
76110120	42" (1067 mm) whirlpool bath and wall surround, right drain (shown)	<input type="checkbox"/> 0	<input type="checkbox"/> Other _____
Model	Wall Component Description	Colors/Finishes	
71114100	Complete wall set	<input type="checkbox"/> 0	<input type="checkbox"/> Other _____

# ENSEMBLE™

## Technical Information

Fixture*:	
Basin area:	
Bathing well	40" (1016 mm) x 27" (686 mm)
Top area	52" (1321 mm) x 35" (889 mm)
To overflow:	
Water depth	11" (279 mm)
Capacity	55 gal (208.2 L)
* Approximate measurements for comparison only.	

Pump:	V	Hz	A
1-speed	120	60	7

Model	Door width	Door maximum height
76110110 76110120	58-1/2" (1486 mm)	55-3/4" (1416 mm)

## Required Electrical Service

Dedicated circuit required, protected with Class A Ground-Fault Circuit-Interrupter (GFCI):	
Pump	120 V, 15 A, 60 Hz

## Installation Notes

Install this product according to the installation guide.

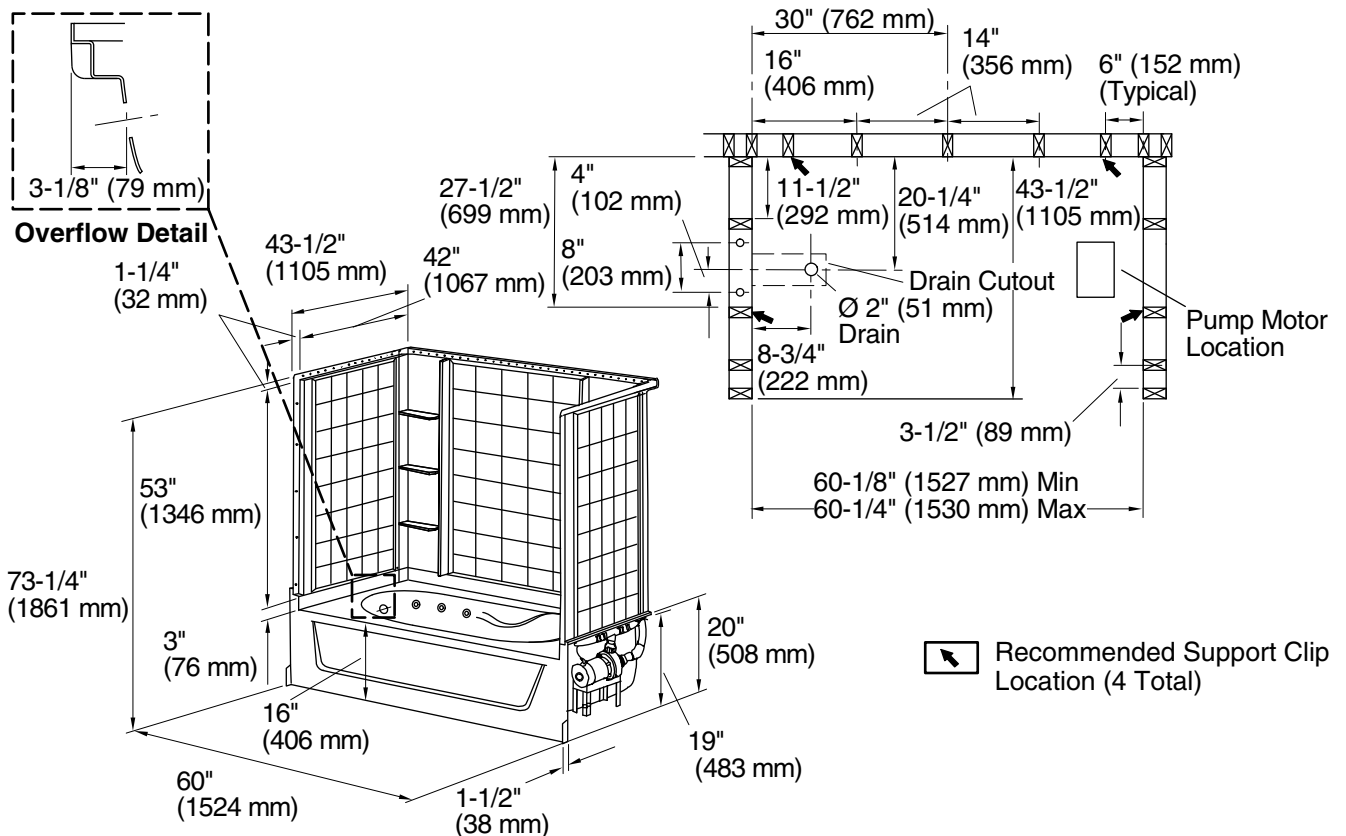
Pump is supplied with a grounding type plug-in cord. Locate the outlet behind the whirlpool, and within 24" (610 mm) of the pump.

Do not disassemble the pump or piping as this could void the warranty.

Size the drain cutout to fit the drain assembly that will be used.

End stud positioning is critical.

Studs should be positioned roughly as shown.



## Product Diagram