

STERLING®

A KOHLER COMPANY

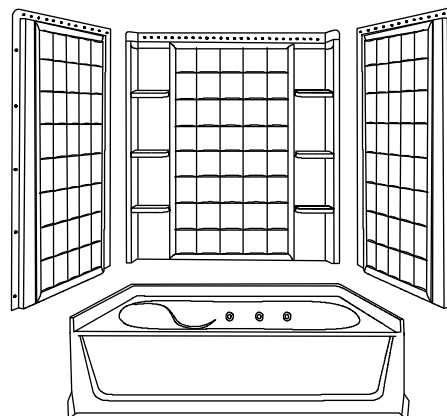
ENSEMBLE™

Features

- Compression molded from our exclusive solid Vikrell® material
- Tongue-and-groove 4-piece modular design allows for easy "snap together" installation
- Integral apron with removable access panel
- Durable high-gloss finish
- 6 Jets
- 10-year consumer/3-year commercial limited warranty
- Pump with air switch and grounding-type plug-in cord
- 16" (406 mm) bath whirlpool depth (floor to top of threshold)
- 60-1/4" (1530 mm) x 37-1/2" (953 mm) x 73-1/4" (1861 mm) complete unit rough-in dimensions include flange
- 60" (1524 mm) x 36" (914 mm) x 72" (1829 mm) complete unit finished dimensions

36" (914 mm) WHIRLPOOL BATH AND WALL SURROUND

76100110
ALSO 76100120



Codes/Standards Applicable

Specified model meets or exceeds the following:

- ASME A112.19.7
- ASTM E162
- ASTM E662
- CSA B45.5/IAPMO Z124
- HUD, UM Bulletin 73A
- UL 1795

Colors/Finishes

- 0: White
- Other: Refer to Price Book for additional colors/finishes

Specified Model

Model	Complete Unit Description	Colors/Finishes	
76100110	36" (914 mm) whirlpool bath and wall surround, left drain	<input type="checkbox"/> 0	<input type="checkbox"/> Other _____
76100120	36" (914 mm) whirlpool bath and wall surround, right drain (shown)	<input type="checkbox"/> 0	<input type="checkbox"/> Other _____

Model	Wall Component Description	Colors/Finishes	
71104100	Complete wall set	<input type="checkbox"/> 0	<input type="checkbox"/> Other _____

ENSEMBLE™

Technical Information

Fixture*:			
Basin area:			
Bathing well	40" (1016 mm) x 21" (533 mm)		
Top area	52" (1321 mm) x 29" (737 mm)		
To overflow:			
Water depth	11" (279 mm)		
Capacity	40 gal (151.4 L)		
* Approximate measurements for comparison only.			
Pump:			
1-speed	V	Hz	A
	120	60	7
Model	Door maximum width	Door maximum height	
76100110	*58-1/2" (1486 mm)	*55-3/4" (1416 mm)	
76100120			
* Varies with alternative walls.			

Required Electrical Service

Dedicated circuit required, protected with Class A Ground-Fault Circuit-Interrupter (GFCI):	
Pump	120 V, 15 A, 60 Hz

Installation Notes

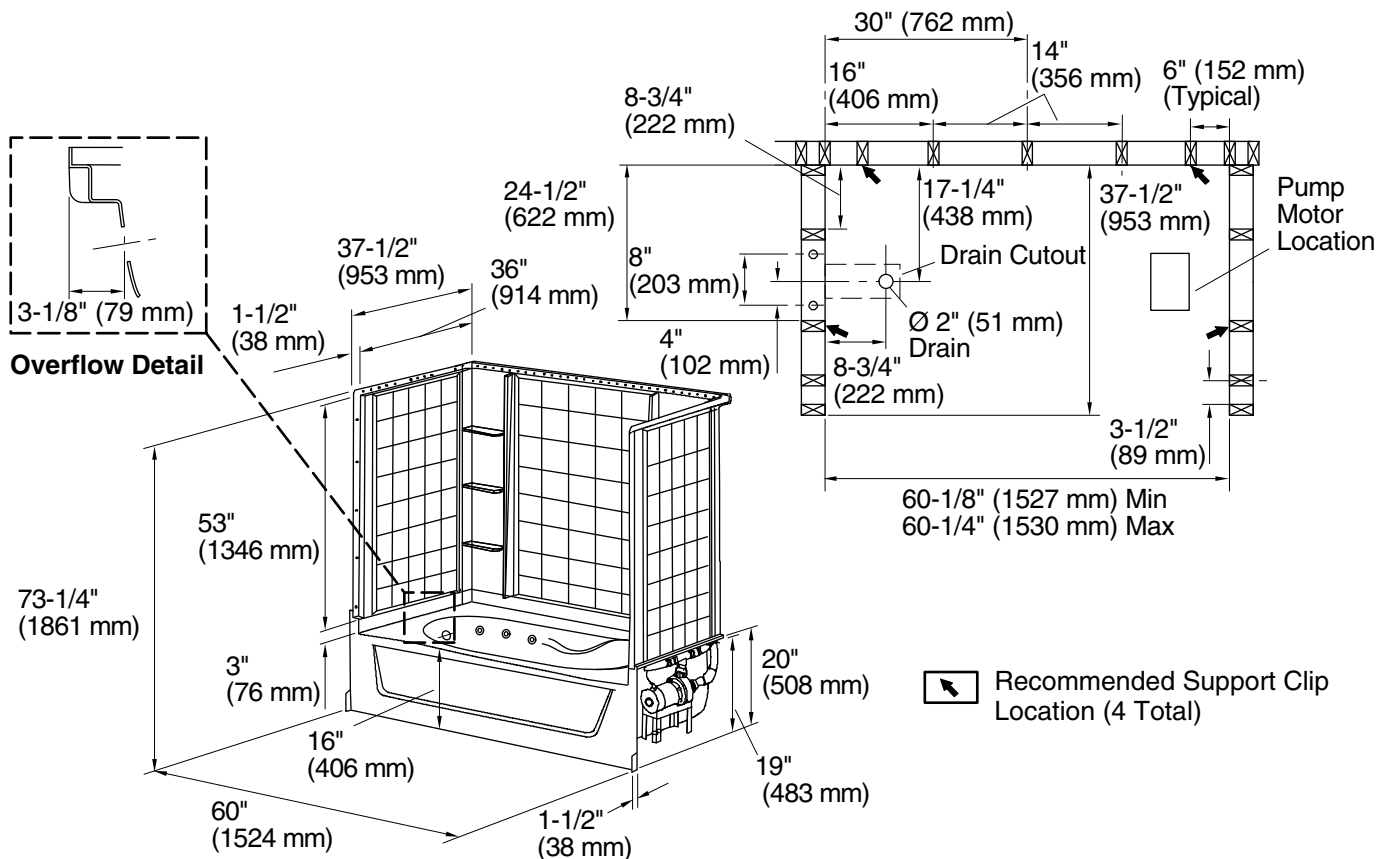
Install this product according to the installation guide.

Pump is supplied with a grounding type plug-in cord. Locate the outlet behind the whirlpool, and within 24" (610 mm) of the pump.

Do not disassemble the pump or piping as this could void the warranty.

Size the drain cutout to fit the drain assembly that will be used.

Studs should be positioned roughly as shown.



Product Diagram