

STERLING®

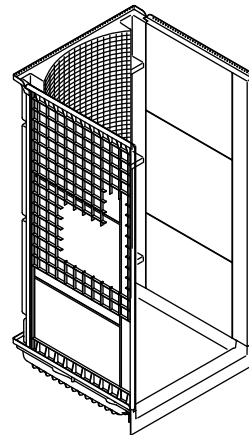
A KOHLER COMPANY

ACCORD®

Features

- Compression molded from our exclusive solid Vikrell® material
- Modular 4-piece design
- Pivot "snap together" installation
- Caulkless seam installation
- Convenient shelves provide generous storage
- Durable high-gloss finish
- 10-year consumer/3-year commercial limited warranty
- Wall surround allows for attachment of grab bars
- 36-1/4" (921 mm) x 37-1/4" (946 mm) x 77" (1956 mm) rough-in dimensions include nailing flange
- 36" (914 mm) x 36" (914 mm) x 75-3/4" (1924 mm) complete unit finished dimensions

36" (914 mm) BASE AND SURROUND W/BACKER BOARDS 72240106



Codes/Standards Applicable

Specified model meets or exceeds the following:

- ASTM E162
- ASTM E662
- CSA B45.5/IAPMO Z124

Colors/Finishes

- 0: White
- Other: Refer to Price Book for additional colors/finishes

Specified Model

Model	Complete Unit Description	Colors/Finishes	
72240106	36" (914 mm) shower base and wall surround with backer boards	<input type="checkbox"/> 0	<input type="checkbox"/> Other _____

Model	Wall Component Description	Colors/Finishes	
72242100	36" (914 mm) Backwall	<input type="checkbox"/> 0	<input type="checkbox"/> Other _____
72241100	36" (914 mm) Base	<input type="checkbox"/> 0	<input type="checkbox"/> Other _____
72245106	Endwall set with backer boards	<input type="checkbox"/> 0	<input type="checkbox"/> Other _____

ACCORD®

Technical Information

Model	door maximum width	door maximum height
72240106	32-5/8" (829 mm)	72" (1829 mm)

Double studding is recommended for pivot shower door installations.

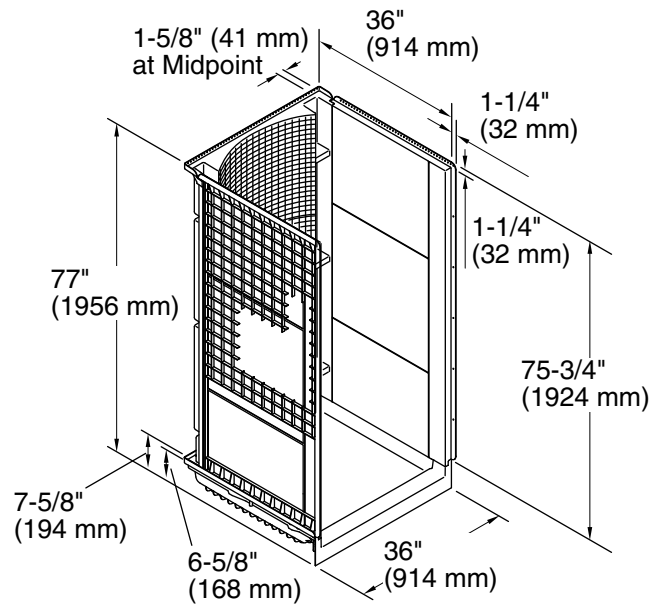
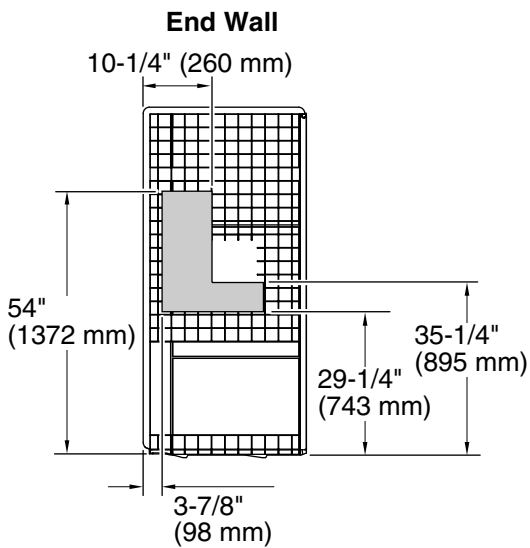
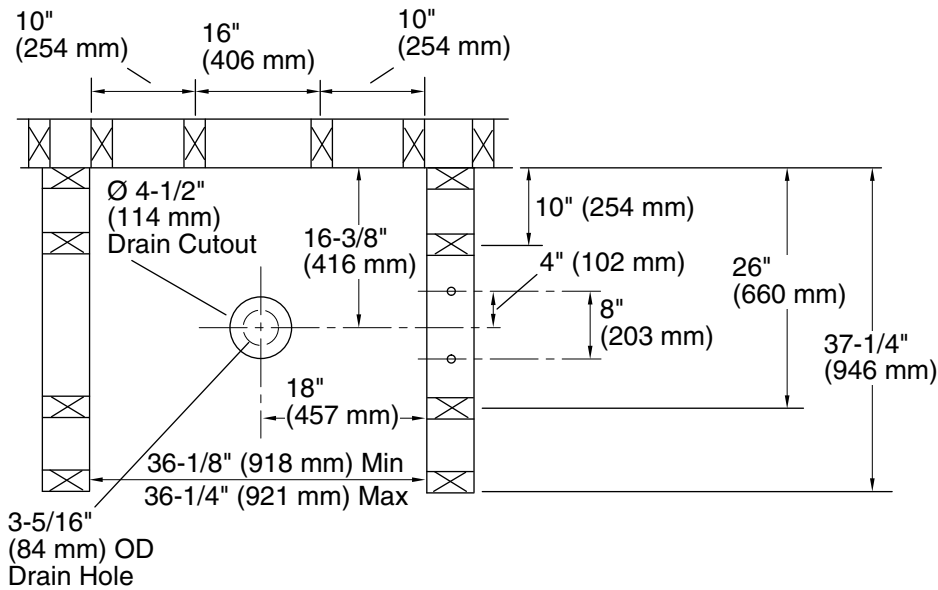
Studs should be positioned roughly as shown.

Base cannot be installed without the wall surround.

Installation Notes

Install this product according to the installation guide.

Size the drain cutout to fit the drain assembly that will be used.



Product Diagram

ACCORD® 36" (914 mm) BASE AND SURROUND W/BACKER BOARDS