



Ensemble™

60" x 32" End Drain Shower Base
72181120



Features

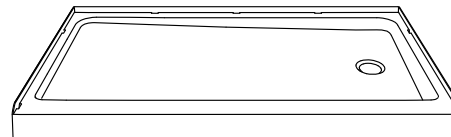
- End drain makes it perfect for replacing an existing bath without moving the drain location.
- Durable high-gloss finish.
- 60" (1524 mm) x 32" (812 mm) x 3.5" (89 mm) unit finished dimensions.

Material

- Compression molded from our exclusive Vikrell material.

Installation

- Suitable for tile down application.



Codes/Standards

CSA B45.5/IAPMO Z124
ASTM E162
ASTM E662
HUD, UM Bulletin 73



STERLING® Warranty - Fixtures Made of Solid Vikrell Material

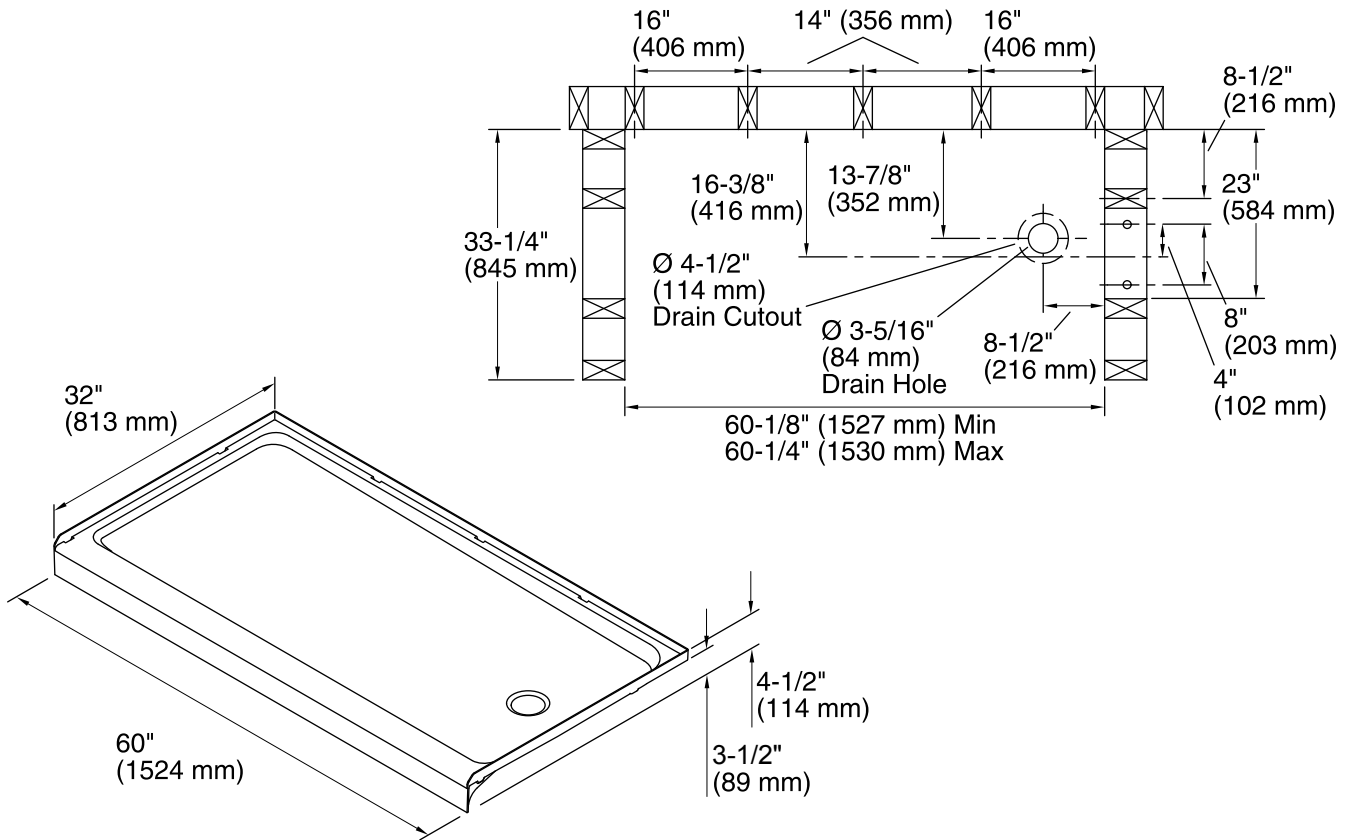
See website for detailed warranty information.

Available Color/Finishes

Color tiles intended for reference only.

| Color | Code | Description |
|-------|------|-------------|
|-------|------|-------------|

- | | | |
|--|----|---------|
|  | 0 | White |
|  | 96 | Biscuit |



Technical Information

All product dimensions are nominal.

- Installation: 3-Wall Alcove
- Drain location: Right
- Weight: 35.6 lbs (16.1 kg)

Notes

- Install this product according to the installation guide.
- Double studding is recommended for pivot shower door installations.
- Studs should be positioned roughly as shown.