

STERLING®

A KOHLER COMPANY

ENSEMBLE™

Features

- Compression molded from our exclusive solid Vikrell® material
- Durable high-gloss finish
- Left or right drain
- 10-year consumer/3-year commercial limited warranty
- 60-1/4" (1530 mm) x 30" (762 mm) x 5" (127 mm) receptor rough-in dimensions include nailing flange
- 60" (1524 mm) x 30" (762 mm) x 4" (102 mm) unit finished dimensions

60" (1524 mm) x 30" (762 mm)
SHOWER RECEPTOR

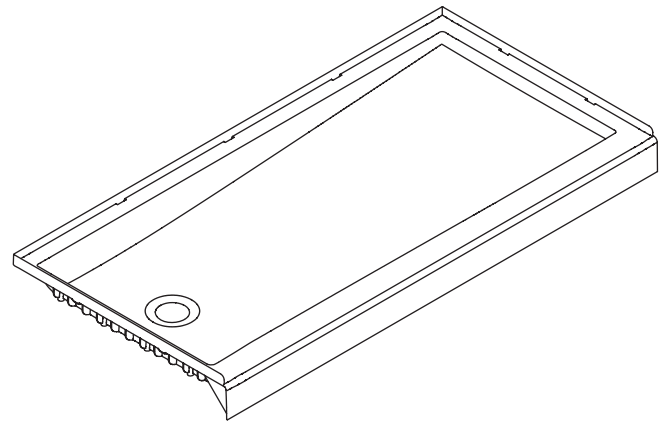
72171110
ALSO 72171120



Codes/Standards Applicable

Specified model meets or exceeds the following:

- ANSI Z124.1.2
- CSA B45
- ASTM E162
- ASTM E662



Colors/Finishes

- 0: White
- Other: Refer to Price Book for additional colors/finishes

Specified Model

Model	Description	Colors/Finishes	
		<input type="checkbox"/> 0	<input type="checkbox"/> Other _____
72171110	60" (1524 mm) x 30" (762 mm) shower receptor – left drain (shown)	<input type="checkbox"/> 0	<input type="checkbox"/> Other _____
72171120	60" (1524 mm) x 30" (762 mm) shower receptor – right drain	<input type="checkbox"/> 0	<input type="checkbox"/> Other _____

ENSEMBLE™

Technical Information

Fixture:	
Weight	38 lbs (17 kg)
Configuration	one-piece
Drain hole	Ø 3-5/16" (84 mm)

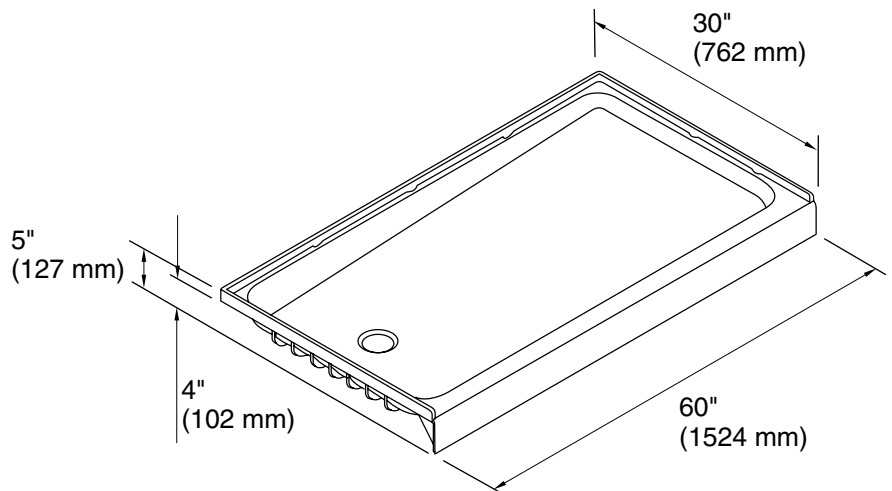
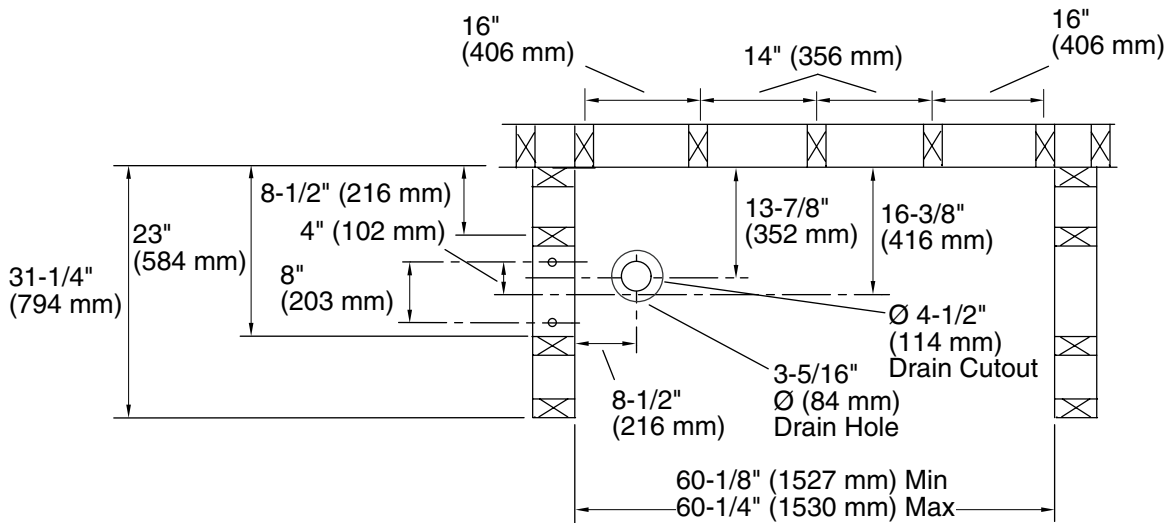
Installation Notes

Install this product according to the installation guide.

Size the drain cutout to fit the drain assembly that will be used.

Double studding is recommended for pivot shower door installations.

Studs should be positioned as shown.



Product Diagram

ENSEMBLE™ 60" (1524 mm) x 30" (762 mm) SHOWER RECEPTOR