

STERLING®

A KOHLER COMPANY

INTRIGUE™

Features

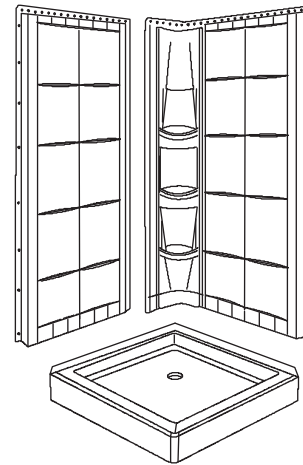
- Compression molded from our exclusive solid Vikrell® material
- Shower base can be ordered separately
- Durable high-gloss finish
- 10-year consumer/3-year commercial limited warranty
- Tongue-and-groove 3-piece modular design allows for easy "snap together" installation
- 40-1/4" (1022 mm) x 40-1/4" (1022 mm) x 80-1/4" (2038 mm) unit rough-in dimensions include flange
- 39" (991 mm) x 39" (991 mm) x 79" (2007 mm) complete unit finished dimensions

Codes/Standards Applicable

Specified model meets or exceeds the following:

- ASTM E162
- ASTM E662
- CSA B45.5/IAPMO Z124
- HUD, UM Bulletin 73A
- NAHB Research Foundation, Inc.

39" (991 mm) CORNER SHOWER BASE AND WALL SURROUND 72050100



Colors/Finishes

- 0: White
- Other: Refer to Price Book for additional colors/finishes

Specified Model

Model	Complete Unit Description	Colors/Finishes	
72050100	39" (991 mm) corner shower base and wall surround	<input type="checkbox"/> 0	<input type="checkbox"/> Other_____
Model	Component Description	Colors/Finishes	
72051100	39" (991 mm) corner shower base only	<input type="checkbox"/> 0	<input type="checkbox"/> Other_____
Model	Wall Component Description	Colors/Finishes	
72044100	Tile wall set	<input type="checkbox"/> 0	<input type="checkbox"/> Other_____

Technical Information

Model	door maximum width	door maximum height
72050100	35-3/8" (899 mm) x 35-3/8" (899 mm)	74" (1880 mm)

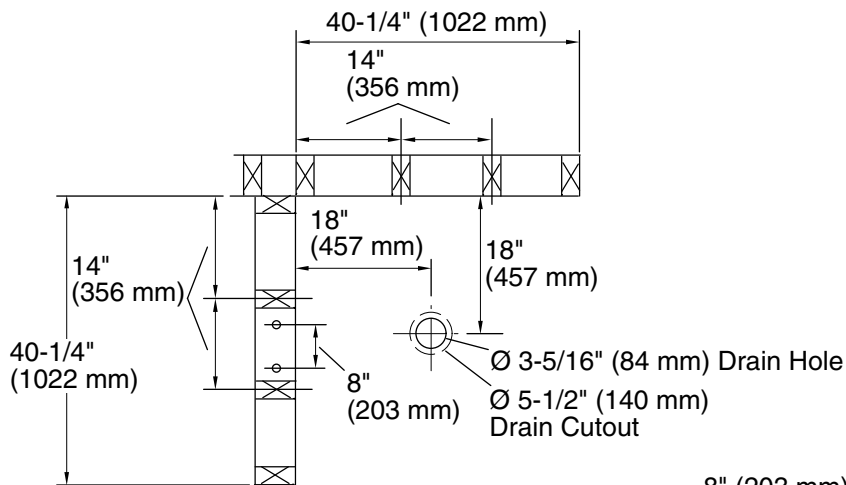
Installation Notes

Install this product according to the installation guide.

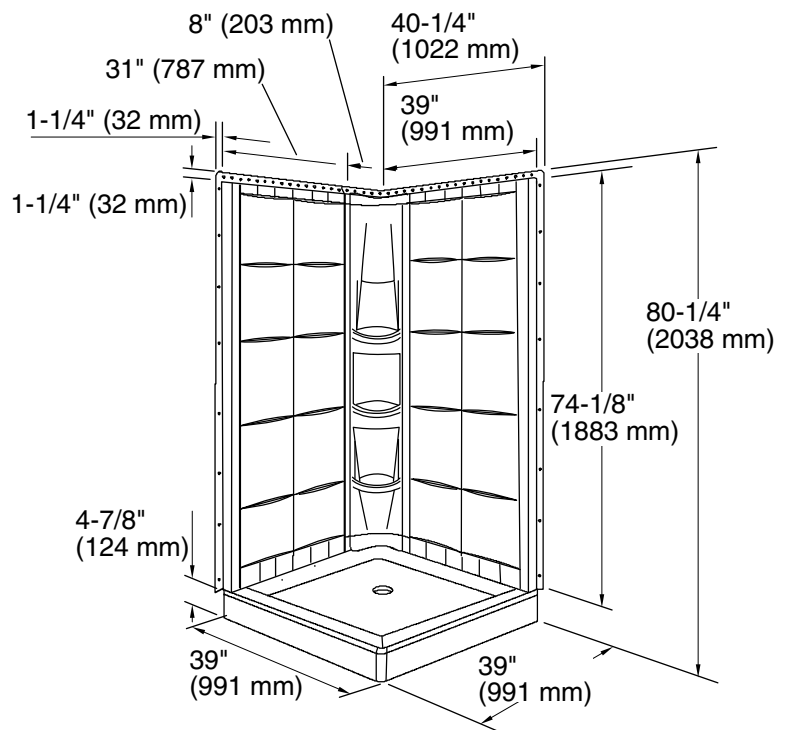
Size the drain cutout to fit the drain assembly that will be used.

Double studding is recommended for pivot shower door installations.

Studs should be positioned roughly as shown.



72050100



Product Diagram