

STERLING®

A KOHLER COMPANY

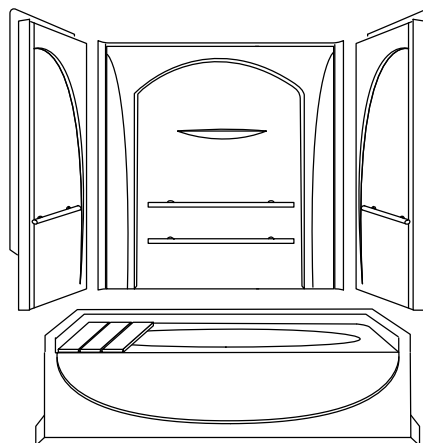
ACCLAIM™

Features

- Compression molded from our exclusive solid Vikrell® material
- Stainless steel grab bars 1-1/2" (3.8 cm) OD
- Tongue-and-groove 4-piece modular design allows for easy "snap together" installation
- Durable high-gloss finish
- Handicap seat mounts directly to back wall of bath surround and rests on dam of bath
- 10-year consumer/3-year commercial limited warranty
- Backwall bars: Two 33" (83.8 cm) long grab bars
Endwall bar: 24" (61 cm) long grab bar
- 15" (38.1 cm) bath depth (floor to top of threshold)
- 60-1/4" (153 cm) x 31-1/2" (80 cm) x 73-1/2" (186.7 cm) complete unit rough-in dimensions include flanges
- 60" (152.4 cm) x 30" (76.2 cm) x 72" (182.9 cm) complete unit finished dimensions

60" (152.4 cm) ADA COMPLIANT BATH AND WALL SURROUND

71090115
ALSO 71090125



Codes/Standards Applicable

Specified model meets or exceeds the following:

- ADA
- ASTM E162
- ASTM E662
- CSA B45.5/IAPMO Z124
- HUD, UM Bulletin 73A
- NAHB Research Foundation, Inc.

Colors/Finishes

- 0: White
- Other: Refer to Price Book for additional colors/finishes

Specified Model

| Model | ADA Compliant Complete Unit Description | Colors/Finishes | |
|----------|--|----------------------------|-------------------------------------|
| 71090115 | 60" (152.4 cm) ADA compliant bath and wall surround, left drain | <input type="checkbox"/> 0 | <input type="checkbox"/> Other_____ |
| 71090125 | 60" (152.4 cm) ADA compliant bath and wall surround, right drain (shown) | <input type="checkbox"/> 0 | <input type="checkbox"/> Other_____ |
| Model | Component Description | Colors/Finishes | |
| 71091114 | 60" (152.4 cm) bath only, left drain | <input type="checkbox"/> 0 | <input type="checkbox"/> Other_____ |
| 71091124 | 60" (152.4 cm) bath only, right drain | <input type="checkbox"/> 0 | <input type="checkbox"/> Other_____ |
| Model | ADA Adaptable Wall Component Description | Colors/Finishes | |
| 71094103 | Complete wall set, with grab bars | <input type="checkbox"/> 0 | <input type="checkbox"/> Other_____ |

Technical Information

| | |
|---|------------------------------------|
| Fixture*: | |
| Bathing well | 42" (106.7 cm) x 16-1/4" (41.3 cm) |
| Top area | 56" (142.2 cm) x 23-3/4" (60.3 cm) |
| To overflow: | |
| Water depth | 13" (33 cm) |
| Capacity | 34 gal (128.7 L) |
| * Approximate measurements for comparison only. | |

| Model | door maximum width | door maximum height |
|----------|--------------------|---------------------|
| 71090115 | 58-1/2" (148.6 cm) | 56-1/2" (143.5 cm) |
| 71090125 | | |

Installation Notes

Install this product according to the installation guide.

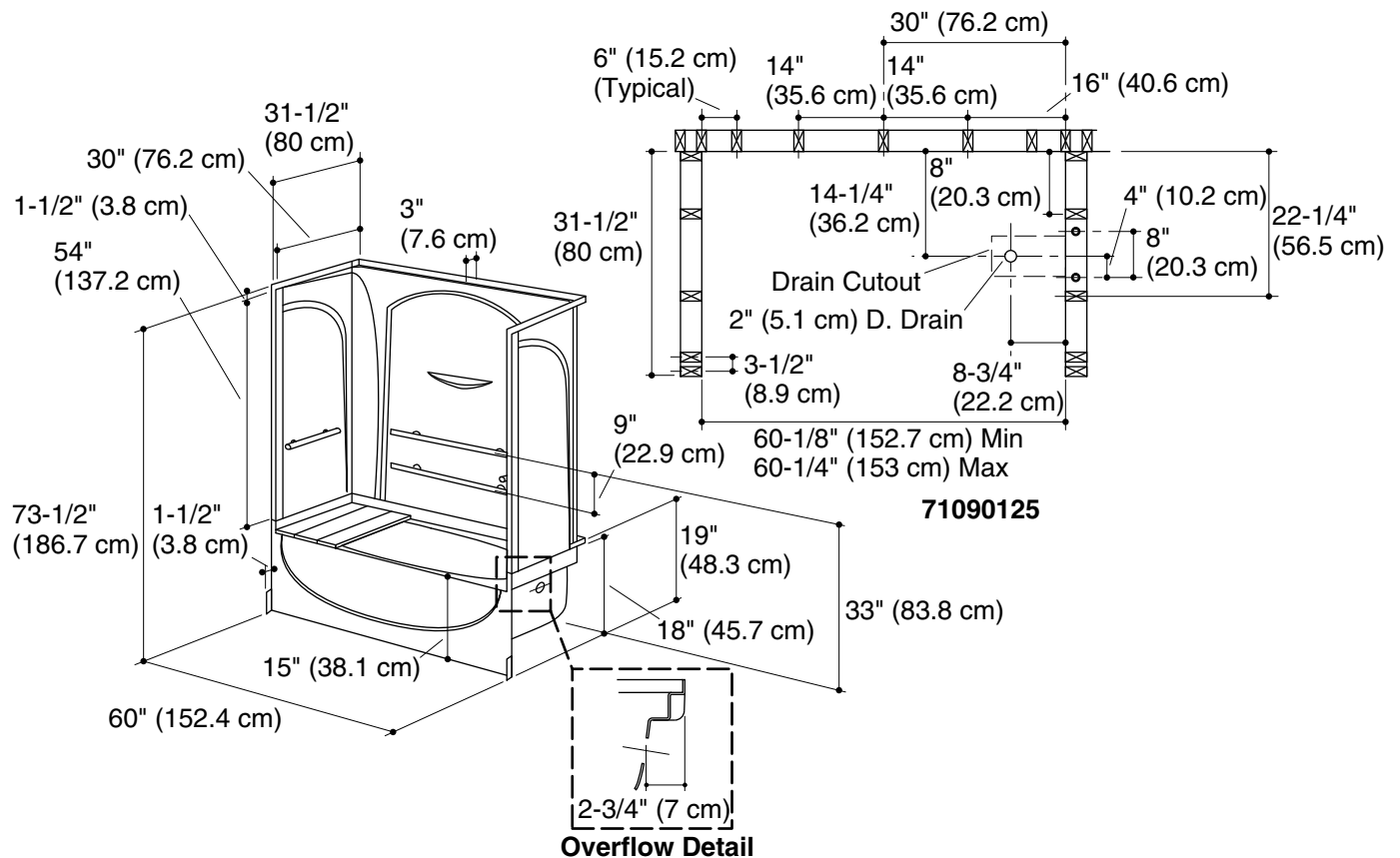
To be ADA compliant, install according to the requirements of the Americans with Disabilities Act (ADA). Use only ADA compliant components.

Size the drain cutout to fit the drain assembly that will be used.

Stud positioning is critical.

Studs should be positioned as shown.

Adjacent finished wall thickness must not exceed 9/16" (1.4 cm).



Product Diagram