

STERLING®

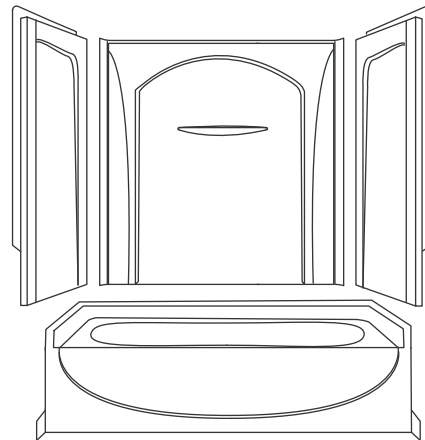
A KOHLER COMPANY

ACCLAIM™

Features

- Compression molded from our exclusive solid Vikrell® material
- Tongue-and-groove 4-piece modular design allows for easy "snap together" installation
- Durable high-gloss finish
- 10-year consumer/3-year commercial limited warranty
- Installation with wall surrounds is the only recommended installation
- 15" (38.1 cm) bath depth (floor to top of threshold)
- 60-1/4" (153 cm) x 31-1/2" (80 cm) x 73-1/2" (186.7 cm) complete unit rough-in dimensions include flanges
- 60" (152.4 cm) x 30" (76.2 cm) x 72" (182.9 cm) complete unit finished dimensions

60" (152.4 cm) BATH AND WALL SURROUND
71090110
ALSO 71090120, 71090410, 71090420



Codes/Standards Applicable

Specified model meets or exceeds the following:

- ASTM E162
- ASTM E662
- CSA B45.5/IAPMO Z124
- HUD, UM Bulletin 73A
- NAHB Research Foundation, Inc.

Colors/Finishes

- 0: White
- Other: Refer to Price Book for additional colors/finishes

Specified Model

| Model | Complete Unit Description | Colors/Finishes | |
|----------|--|----------------------------|--------------------------------------|
| 71090110 | 60" (152.4 cm) bath and wall surround, left drain | <input type="checkbox"/> 0 | <input type="checkbox"/> Other _____ |
| 71090120 | 60" (152.4 cm) bath and wall surround, right drain | <input type="checkbox"/> 0 | <input type="checkbox"/> Other _____ |
| 71090410 | 60" (152.4 cm) bath and wall surround, 4 pack, left drain | <input type="checkbox"/> 0 | <input type="checkbox"/> Other _____ |
| 71090420 | 60" (152.4 cm) bath and wall surround, 4 pack, right drain | <input type="checkbox"/> 0 | <input type="checkbox"/> Other _____ |

| Model | Component Description | Colors/Finishes | |
|----------|---|----------------------------|--------------------------------------|
| 71091110 | 60" (152.4 cm) bath only, left drain | <input type="checkbox"/> 0 | <input type="checkbox"/> Other _____ |
| 71091120 | 60" (152.4 cm) bath only, right drain | <input type="checkbox"/> 0 | <input type="checkbox"/> Other _____ |
| 71091410 | 60" (152.4 cm) bath only, 4 pack, left drain | <input type="checkbox"/> 0 | <input type="checkbox"/> Other _____ |
| 71091420 | 60" (152.4 cm) bath only, 4 pack, right drain | <input type="checkbox"/> 0 | <input type="checkbox"/> Other _____ |

| Model | Wall Component Description | Colors/Finishes | |
|----------|----------------------------|----------------------------|--------------------------------------|
| 71094100 | Complete wall set | <input type="checkbox"/> 0 | <input type="checkbox"/> Other _____ |

Technical Information

| | |
|---|------------------------------------|
| Fixture*: | |
| Basin area: | |
| Bathing well | 42" (106.7 cm) x 16-1/4" (41.3 cm) |
| Top area | 56" (142.2 cm) x 23-3/4" (60.3 cm) |
| To overflow: | |
| Water depth | 12" (30.5 cm) |
| Capacity | 34 gal (128.7 L) |
| * Approximate measurements for comparison only. | |

| Model | door maximum width | door maximum height |
|----------------------------------|---------------------|---------------------|
| 71090110 | 58-1/2" (148.4 cm) | 56-1/2" (143.5 cm) |
| 71090120 | | |
| 71090410 | | |
| 71090420 | | |
| 71091110 | 58-1/2" (148.4 cm)* | NA* |
| 71091120 | | |
| 71091410 | | |
| 71091420 | | |
| * Varies with alternative walls. | | |

Installation Notes

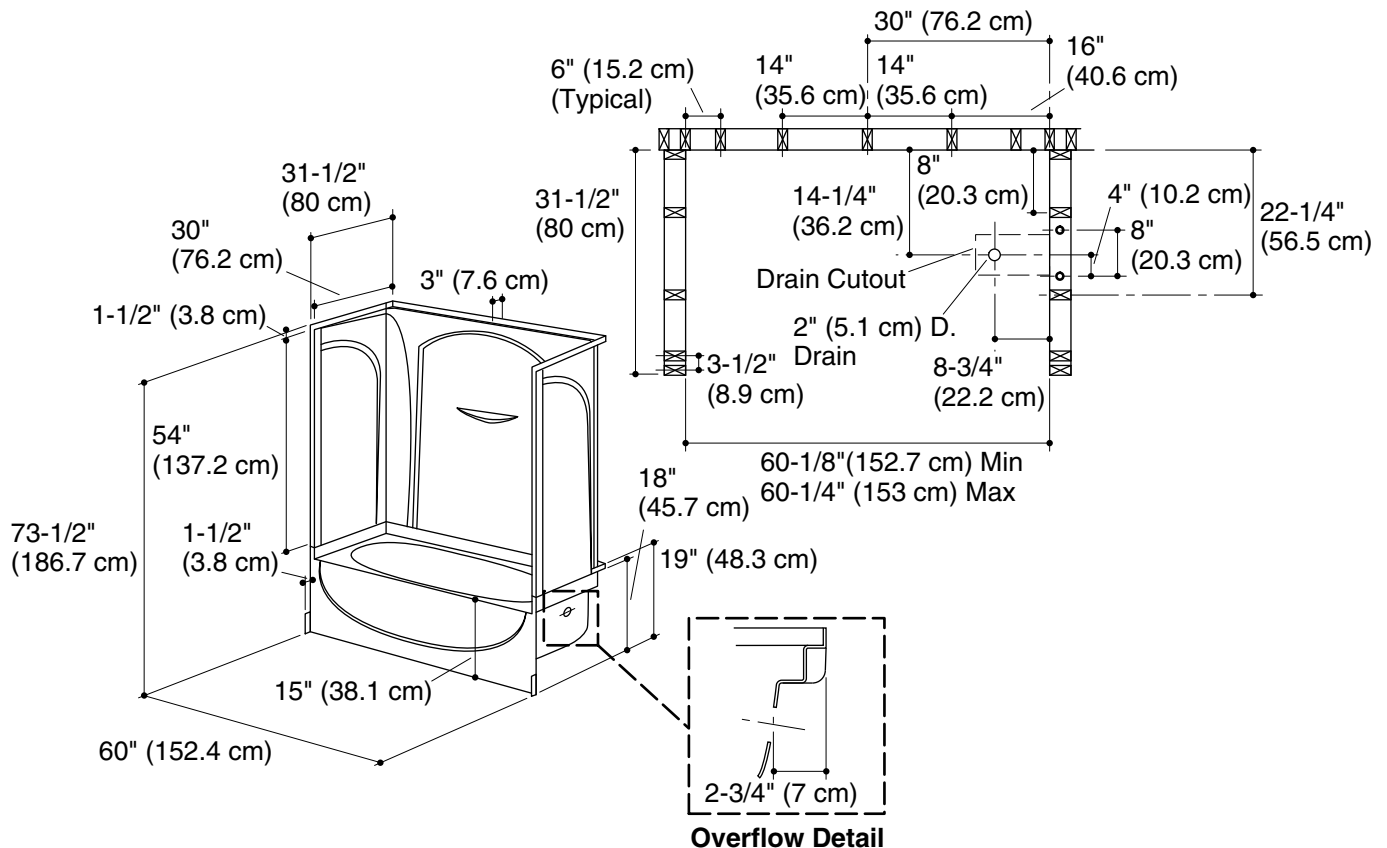
Install this product according to the installation guide.

Size the drain cutout to fit the drain assembly that will be used.

End stud positioning is critical if apron nailing-in flanges are to be used.

Studs should be positioned roughly as shown.

Adjacent finished wall thickness must not exceed 9/16" (1.4 cm).



Product Diagram