

STERLING®

A KOHLER COMPANY

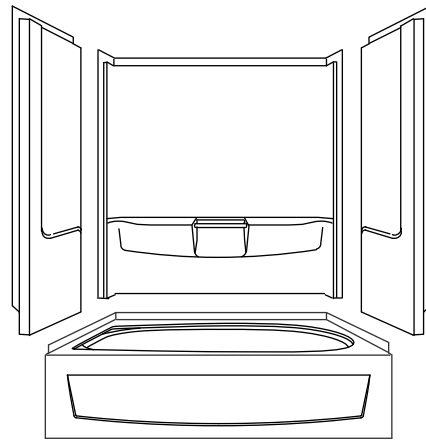
PERFORMA™

Features

- Compression molded from our exclusive solid Vikrell® material
- Above-floor-drain (AFD) rough-in
- Factory installed injection molded apron extension and undersupport structure
- Durable high-gloss finish
- Tongue-and-groove 4-piece modular design allows for easy "snap together" installation
- 10-year consumer/3-year commercial limited warranty
- 17-1/4" (43.8 cm) bath depth (floor to top of threshold)
- 60-1/4" (153 cm) x 30-1/4" (76.8 cm) x 79" (200.7 cm) unit rough-in dimensions includes flanges
- 60" (152.4 cm) x 29" (73.7 cm) x 78" (198.1 cm) complete unit finished dimensions

60" (152.4 cm) AFD BATH AND WALL SURROUND

71040112
ALSO 71040122



Codes/Standards Applicable

Specified model meets or exceeds the following:

- ASTM E162
- ASTM E662
- CSA B45.5/IAPMO Z124
- HUD, UM Bulletin 73A
- NAHB Research Foundation, Inc.

Colors/Finishes

- 0: White
- Other: Refer to Price Book for additional colors/finishes

Specified Model

| Model | Complete Unit Description | Colors/Finishes | |
|----------|--|---------------------------------------|--------------------------------------|
| 71040112 | 60" (152.4 cm) AFD bath and wall surround, left drain | <input type="checkbox"/> 0 | <input type="checkbox"/> Other _____ |
| 71040122 | 60" (152.4 cm) AFD bath and wall surround, right drain | <input type="checkbox"/> 0 | <input type="checkbox"/> Other _____ |
| Model | Component Description | Colors/Finishes | |
| 71041112 | 60" (152.4 cm) AFD bath only, left drain | <input type="checkbox"/> 0 | <input type="checkbox"/> Other _____ |
| 71041122 | 60" (152.4 cm) AFD bath only, right drain | <input type="checkbox"/> 0 | <input type="checkbox"/> Other _____ |
| Model | Wall Component Description | Colors/Finishes | |
| 71044100 | Complete wall set | <input checked="" type="checkbox"/> 0 | <input type="checkbox"/> Other _____ |
| Model | Age-in-Place Component Description | Colors/Finishes | |
| 71040118 | AFD complete unit with Age-in-Place backers, left drain | <input type="checkbox"/> 0 | <input type="checkbox"/> Other _____ |
| 71040128 | AFD complete unit with Age-in-Place backers, right drain | <input type="checkbox"/> 0 | <input type="checkbox"/> Other _____ |
| 71044106 | Complete wall set with Age-in-Place backers | <input type="checkbox"/> 0 | <input type="checkbox"/> Other _____ |

PERFORMA™

Technical Information

| | |
|---|-------------------------------|
| Fixture*: | |
| Basin area: | |
| Bathing well | 21" (53.3 cm) x 39" (99.1 cm) |
| Top area | 24" (61 cm) x 53" (134.6 cm) |
| To overflow: | |
| Water depth | 10-1/4" (26 cm) |
| Capacity | 35 gal (132.5 L) |
| * Approximate measurements for comparison only. | |

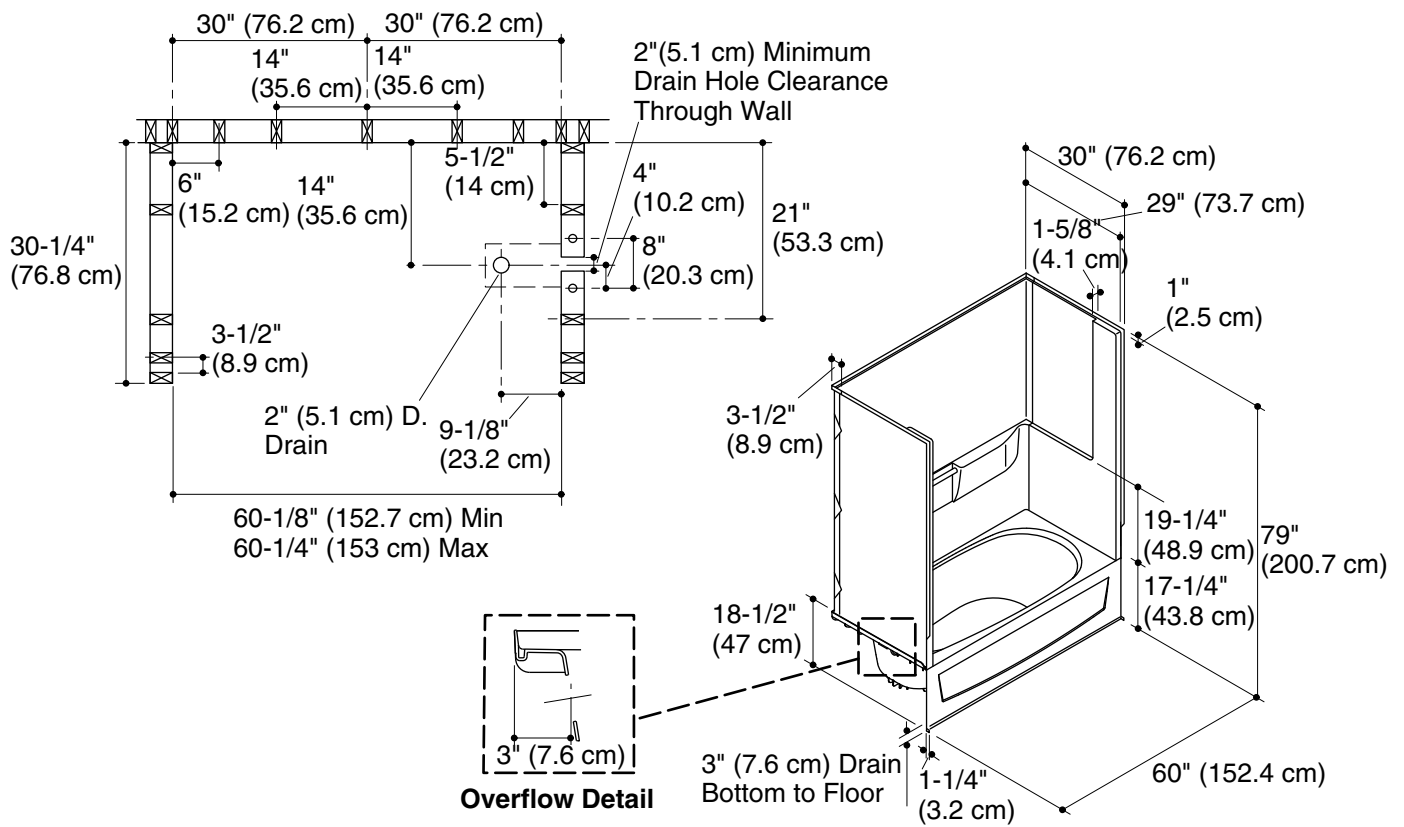
| Model | door maximum width | door maximum height |
|----------|--------------------|---------------------|
| 71040112 | 56-3/4" (144.1 cm) | 59-1/2" (151.1 cm) |
| 71040122 | 56-3/4" (144.1 cm) | 59-1/2" (151.1 cm) |

Installation Notes

Install this product according to the installation guide.

Size the drain hole clearance to fit the drain assembly that will be used.

Studs should be positioned roughly as shown.



Product Diagram

PERFORMA™ 60" (152.4 cm) AFD BATH AND WALL SURROUND

Page 2 of 2
1021861-4-M

STERLING
A KOHLER COMPANY