

STERLING®

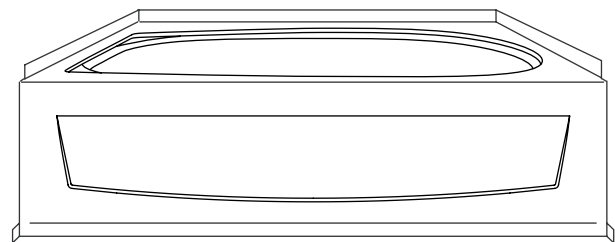
A KOHLER COMPANY

PERFORMA™

Features

- Compression molded from our exclusive solid Vikrell® material
- Above-floor-drain (AFD) rough-in
- Factory installed apron extension made of Vikrell® and injection molded undersupport structure
- Durable high-gloss finish
- 10-year consumer/3-year commercial limited warranty
- 17-1/4" (43.8 cm) bath depth (floor to top of threshold)
- 60-1/4" (153 cm) x 30-1/4" (76.8 cm) x 18-1/2" (47 cm) complete unit rough-in dimensions includes flange
- 60" (152.4 cm) x 29" (73.7 cm) x 17-1/4" (43.8 cm) complete unit finished dimensions

60" (152.4 cm) AFD BATH
71041112
 ALSO 71041122



Codes/Standards Applicable

Specified model meets or exceeds the following:

- ANSI Z124.1.2
- CSA B45
- ASTM E162
- ASTM E662

Colors/Finishes

- 0: White
- Other: Refer to Price Book for additional colors/finishes

Specified Model

Model	Description	Colors/Finishes	
71041112	60" (152.4 cm) AFD bath, left drain	<input type="checkbox"/> 0	<input type="checkbox"/> Other_____
71041122	60" (152.4 cm) AFD bath, right drain	<input type="checkbox"/> 0	<input type="checkbox"/> Other_____

PERFORMA™

Technical Information

Fixture*:	
To overflow:	
Water depth	10-1/4" (26 cm)
Capacity	35 gal (132.5 L)
* Approximate measurements for comparison only.	

Model	door maximum width	door maximum height
71041112	60" (152.4 cm)*	NA*
71041122	60" (152.4 cm)*	NA*
* Varies with alternative walls.		

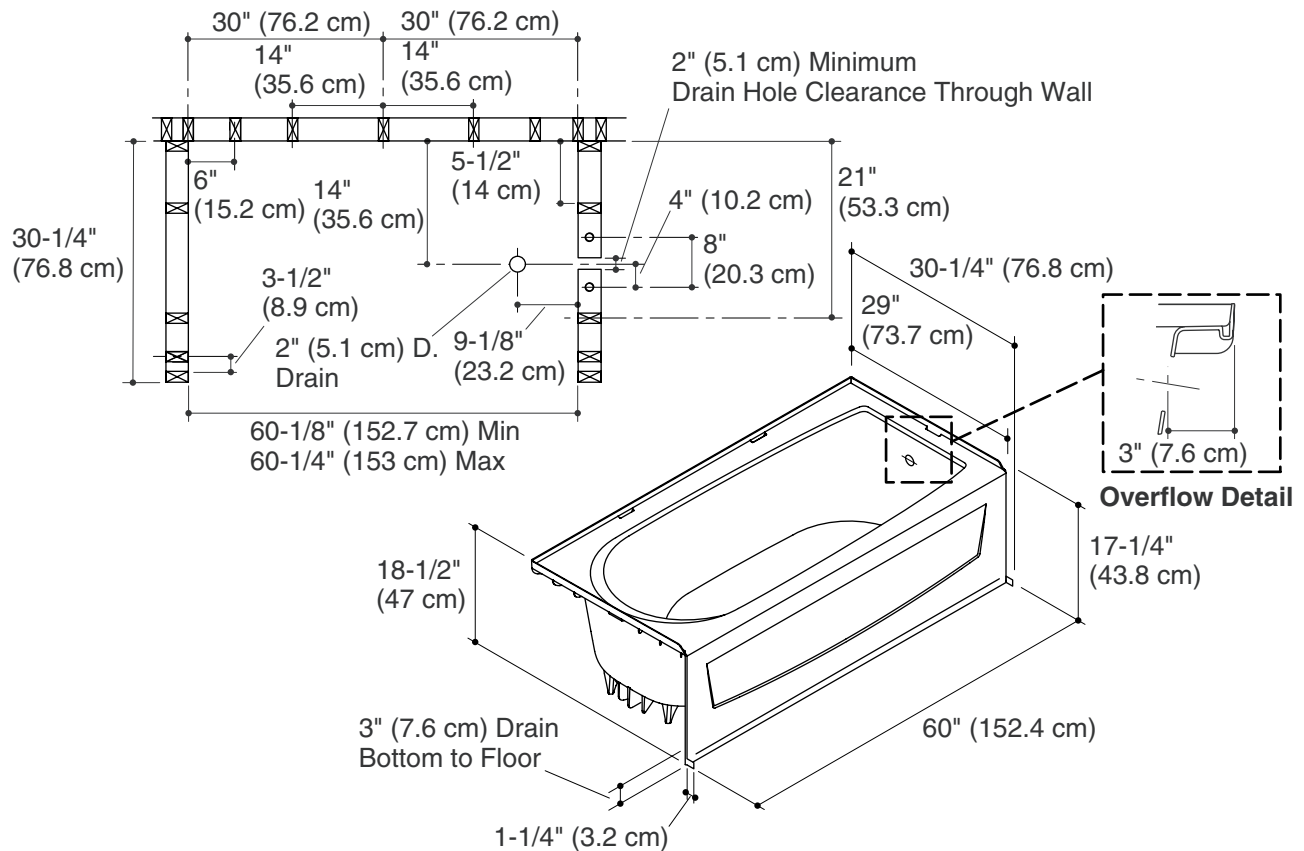
Installation Notes

Install this product according to the installation guide.

Size the drain hole clearance to fit the drain assembly that will be used.

End stud positioning is critical if apron nailing-in flanges are to be used.

Studs should be positioned roughly as shown.



Product Diagram