

# STERLING®

A KOHLER COMPANY

PERFORMA™

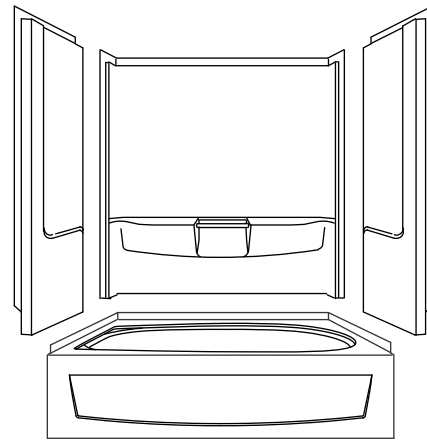
## Features

- Compression molded from our exclusive solid Vikrell® material
- Durable high-gloss finish
- Tongue-and-groove 4-piece modular design allows for easy "snap together" installation
- 10-year consumer/3-year commercial limited warranty
- 15" (381 mm) bath depth (floor to top of threshold)
- 60-1/4" (1530 mm) x 30" (762 mm) x 76-3/4" (1949 mm) complete unit rough-in dimensions includes flanges
- 60" (1524 mm) x 29" (737 mm) x 75-3/4" (1924 mm) complete unit finished dimensions

60" (1524 mm) BATH AND WALL SURROUND

**71040110**

ALSO 71040120, 71040510, 71040520



## Codes/Standards Applicable

Specified model meets or exceeds the following:

- ASTM E162
- ASTM E662
- CSA B45.5/IAPMO Z124
- HUD, UM Bulletin 73A
- NAHB Research Foundation, Inc.

## Colors/Finishes

- 0: White
- Other: Refer to Price Book for additional colors/finishes

## Specified Model

Model	Complete Unit Description	Colors/Finishes	
71040110	60" (1524 mm) bath and wall surround, left drain	<input type="checkbox"/> 0	<input type="checkbox"/> Other _____
71040120	60" (1524 mm) bath and wall surround, right drain	<input type="checkbox"/> 0	<input type="checkbox"/> Other _____
71040510	60" (1524 mm) bath and wall surround, 5 pack, left drain	<input type="checkbox"/> 0	<input type="checkbox"/> Other _____
71040520	60" (1524 mm) bath and wall surround, 5 pack, right drain	<input type="checkbox"/> 0	<input type="checkbox"/> Other _____

Model	Component Description	Colors/Finishes	
71041110	Bath only, left drain	<input type="checkbox"/> 0	<input type="checkbox"/> Other _____
71041120	Bath only, right drain	<input type="checkbox"/> 0	<input type="checkbox"/> Other _____

Model	Wall Component Description	Colors/Finishes	
71044100	Complete wall set	<input type="checkbox"/> 0	<input type="checkbox"/> Other _____

Model	Age-in-Place Component Description	Colors/Finishes	
71040116	Complete unit with Age-in-Place backers, left drain	<input type="checkbox"/> 0	<input type="checkbox"/> Other _____
71040126	Complete unit with Age-in-Place backers, right drain	<input type="checkbox"/> 0	<input type="checkbox"/> Other _____

# PERFORMA™

## Technical Information

Fixture*:	
Basin area:	
Bathing well	21" (533 mm) x 39" (991 mm)
Top area	24" (610 mm) x 53" (1346 mm)
To overflow:	
Water depth	10-1/4" (260 mm)
Capacity	35 gal (132.5 L)
* Approximate measurements for comparison only.	

Model	door maximum width	door maximum height
71040110	56-3/4" (1441 mm)	59-1/2" (1511 mm)
71040120	56-3/4" (1441 mm)	59-1/2" (1511 mm)

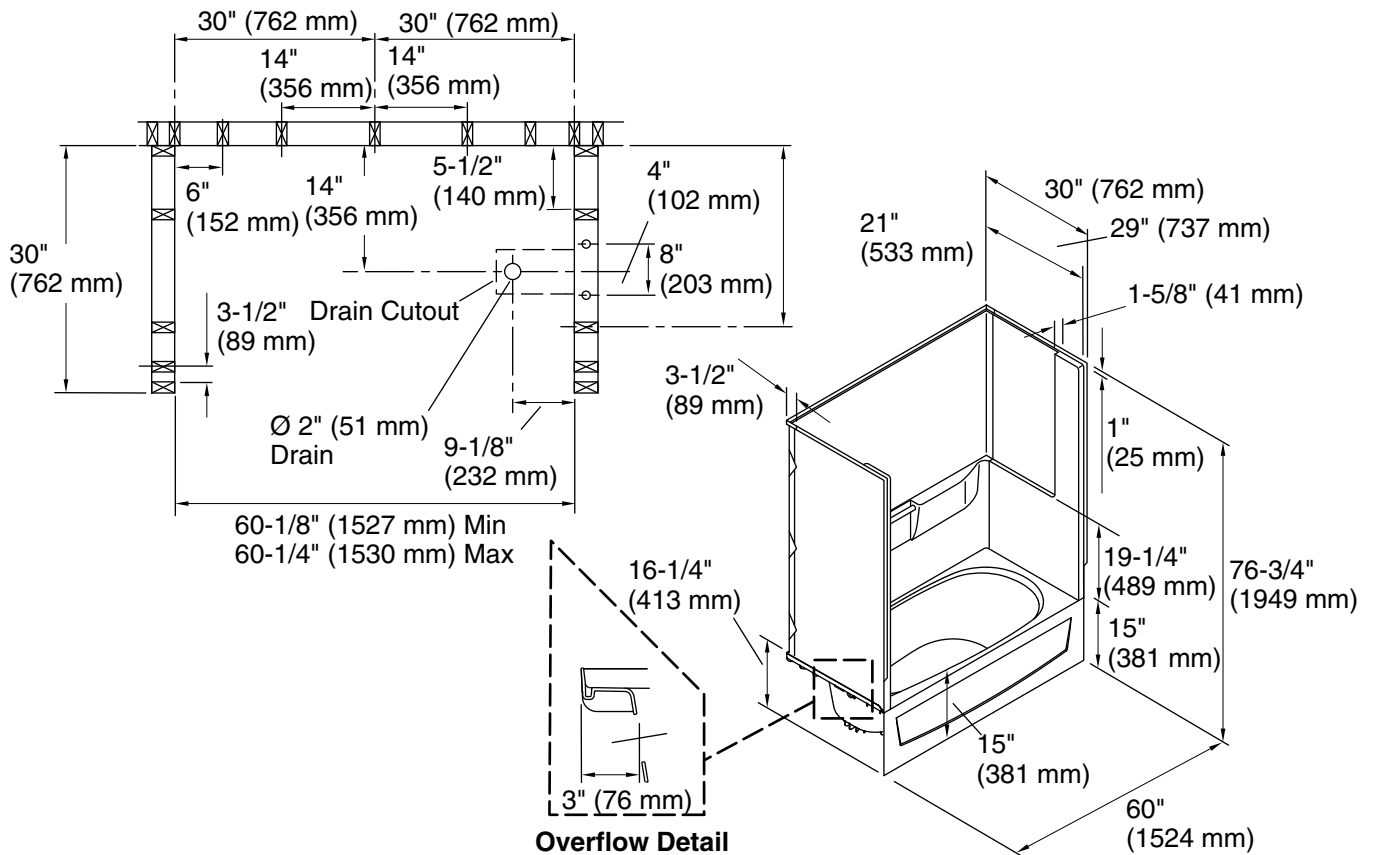
## Installation Notes

Install this product according to the installation guide.

Size the drain cutout to fit the drain assembly that will be used.

Double studding is recommended to pivot shower door installations.

Studs should be positioned roughly as shown.



**Product Diagram**