



A KOHLER COMPANY

IMAGE™

Features

- Bath and integral apron eliminates installation step
- Compression molded from Sterling's exclusive solid VIKRELL™ material
- Lightly pebbled bottom surface for sure footing
- Tongue-and-groove "snap together" design allows for easy installation
- Modular 4-piece design
- Durable high gloss finish
- 10 year consumer/3 year commercial limited warranty
- 60" (152.4 cm) x 30" (76.2 cm) x 74-1/4" (188.6 cm) complete unit rough-in dimensions include flange
- 60" (152.4 cm) x 28-3/4" (73 cm) x 73" (185.4 cm) complete unit finished dimensions
- 16" (40.6 cm) bath depth (floor to top of dam)

Codes/Standards Applicable

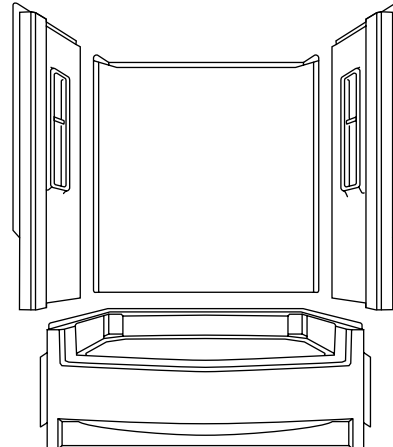
Specified model meets or exceeds the following:

- ASTM E84
- ANSI Z124.1
- IAPMO/UPC
- Underwriter's Laboratories (UL)
- HUD, UM Bulletin 73A
- NAHB Research Foundation, Inc.

60" (152.4 cm) BATH/SHOWER SYSTEM

71020110

ALSO 71020120, 71024100, 71025100



Colors/Finishes

- 0: White
- Other: Refer to Price Book for additional colors/finishes

Specified Model

Model	Complete Unit Description	Colors/Finishes	
71020110	60" (152.4 cm) bath shower system, left drain	<input type="checkbox"/> 0 White	<input type="checkbox"/> Other _____
71020120	60" (152.4 cm) bath shower system, right drain	<input type="checkbox"/> 0 White	<input type="checkbox"/> Other _____
71021110	60" (152.4 cm) bath only with integral apron, left drain	<input type="checkbox"/> 0 White	<input type="checkbox"/> Other _____
71021120	60" (152.4 cm) bath only with integral apron, right drain	<input type="checkbox"/> 0 White	<input type="checkbox"/> Other _____

Model	Wall Component Description	Colors/Finishes	
71022100	Back wall	<input type="checkbox"/> 0 White	<input type="checkbox"/> Other _____
71023110	Left end wall	<input type="checkbox"/> 0 White	<input type="checkbox"/> Other _____
71023120	Right end wall	<input type="checkbox"/> 0 White	<input type="checkbox"/> Other _____
71024100	Complete wall set	<input type="checkbox"/> 0 White	<input type="checkbox"/> Other _____
71025100	End wall set	<input type="checkbox"/> 0 White	<input type="checkbox"/> Other _____

SterlingPlumbing.com

Visit us online for fixture color choices, detailed product information, color photos, installation instructions, care guides, and warranties. Sterling offers additional lines of plumbing products to complement the Sterling product you've chosen. Sign up for the Sterling monthly e-newsletter which showcases our latest product innovations. You may also call our Sterling Plumbing Answer Center from within the USA at 1-888-STERLING in addition to consulting with your local dealer. Sterling. Strong. Professional. Design.

Technical Information

Fixture:*	basin area	top area	weight
Bathing well	44" (112 cm) x 16" (41 cm)	56" (142 cm) x 23-1/2" (60 cm)	139 lbs (63 kg)
	water depth	capacity	
To overflow	10-7/8" (27.6 cm)	43 gals. (162.7 L)	

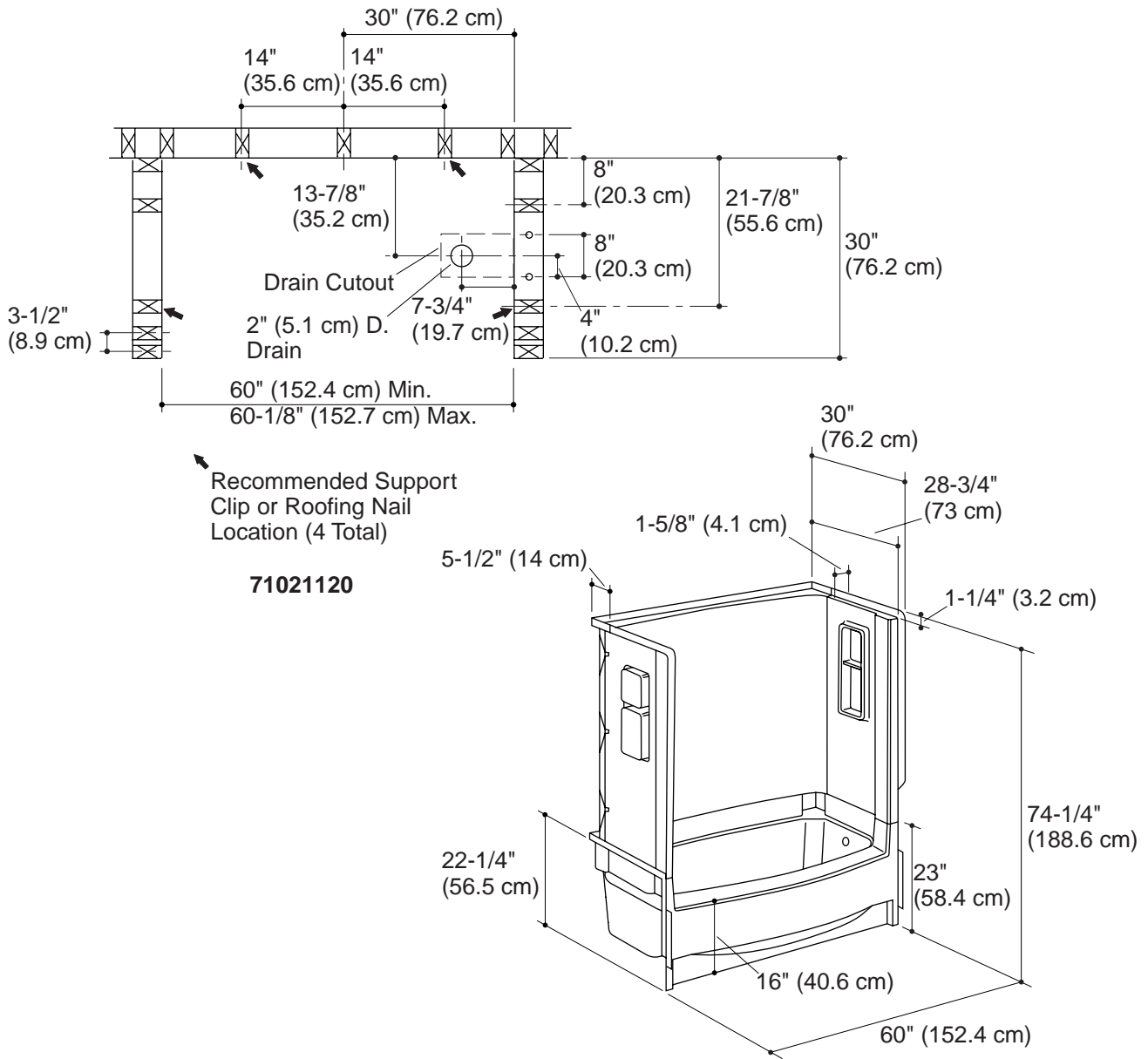
* Approximate measurements for comparison only.

Model	door maximum width	maximum height
71020110/ 71020120	56-3/4" (144.1 cm)	57-1/4" (145.4 cm)
70121110/ 71021120	*56-3/4" (144.1 cm)	*NA

* Varies with alternative walls.

Installation Notes

Install this product according to the installation guide.



Product Diagram