

STERLING®

A KOHLER COMPANY

Features

- Compression molded from our exclusive solid Vikrell® material
- Factory installed stainless steel grab bars
- Engineered for ease of installation
- Durable swirl-gloss finish
- 10-year consumer/3-year commercial limited warranty
- Tongue-and-groove 4-piece modular design allows for easy "snap together" installation
- 1/2" (13 mm) low profile threshold for easy wheelchair access
- 63-1/2" (1613 mm) x 40-5/8" (1032 mm) x 73-1/4" (1861 mm) direct-to-stud rough-in, including flange
- 63-1/4" (1607 mm) x 39-3/8" (1000 mm) x 72" (1829 mm) complete unit finished dimensions

Codes/Standards Applicable

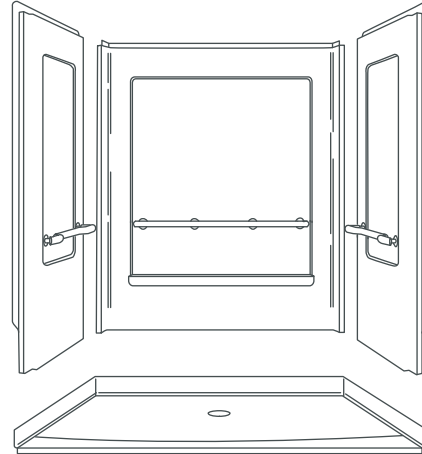
Specified model meets or exceeds the following:

- HUD, UM Bulletin 73A
- NAHB Research Foundation, Inc.
- ASTM E162
- ASTM E662
- ANSI Z124.1.2

Specified Model

Model	Description	Colors/Finishes	
62060103	63" (1600 mm) shower receptor and wall surround, with grab bars	<input type="checkbox"/> 0	<input type="checkbox"/> Other_____

63" (1600 mm) ROLL-IN SHOWER 62060103



Colors/Finishes

- 0: White
- Other: Refer to Price Book for additional colors/finishes

Installation Notes

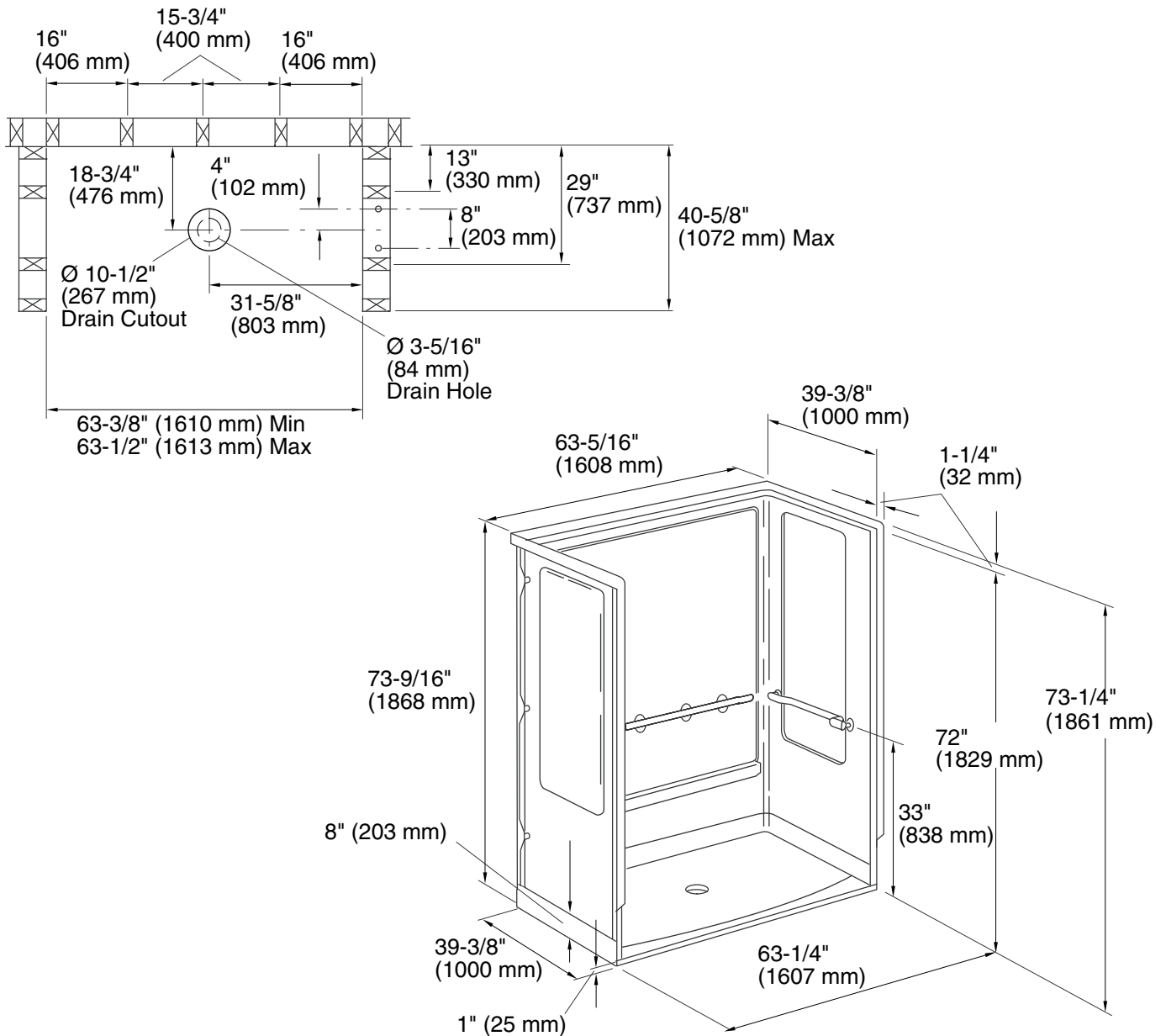
Install this product according to the installation guide.

Drain cutout in subfloor to be 10-1/2" (267 mm) per rough-in illustration below to allow the backside of the drain to sit below the subfloor surface.

Studs should be positioned as shown.

Backer boards and fasteners protrude beyond the back wall 1-1/2" (38 mm). If installing this product against wall board, 1-1/2" (38 mm) furring strips installed over the wall board are

recommended. The stud pocket depth of 40-5/8" (1032 mm) will need to be increased by the combined thickness of the wall board and furring strips.



Product Diagram