



Features

- Modular design allows it to be moved around corners and through doorways with ease.
- Durable swirl gloss finish.
- Wall surround includes backer boards for future grab bar installation.
- 1/2" (13 mm) threshold with 1/2" (13 mm) finished floor.
- 39-3/8" (1000 mm) x 39-3/8" (1000 mm) x 72" (1829 mm) complete unit finished dimensions.

Material

- Compression molded from our exclusive Vikrell® material.

Installation

- Tongue-and-groove four piece modular design allows for easy snap together installation.
- Caulk required for proper installation.

Components

Product includes:

- 62055106
- 62051100
- 62052106



For complete listing of available colors, go to sterlingplumbing.com.

Codes/Standards

- ASTM E162
- ASTM E662
- Greenguard UL 2818 - Gold
- CSA B45.5/IAPMO Z124

STERLING® Warranty - Fixtures Made of Solid Vikrell Material

See website for detailed warranty information.

Product Specification

Shower base and wall surround with backer boards shall be 39-3/8" (1000 mm) in length, 40-5/8" (1032 mm) in width, and 73-1/4" (1861 mm) in height. Shower base and wall surround with backer boards shall be made of Vikrell® material. Shower base and wall surround with backer boards shall be STERLING Model 62050106.

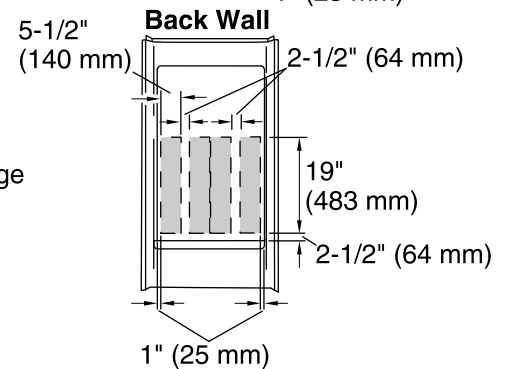
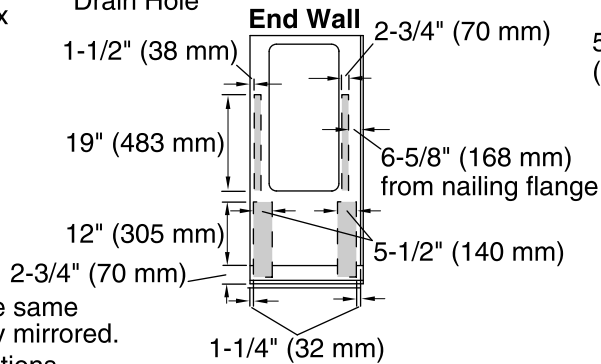
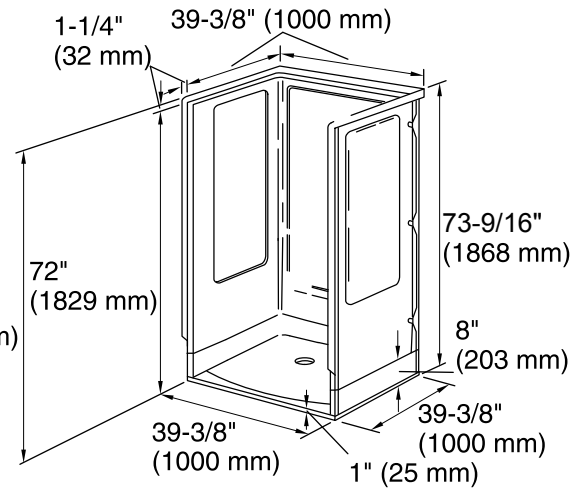
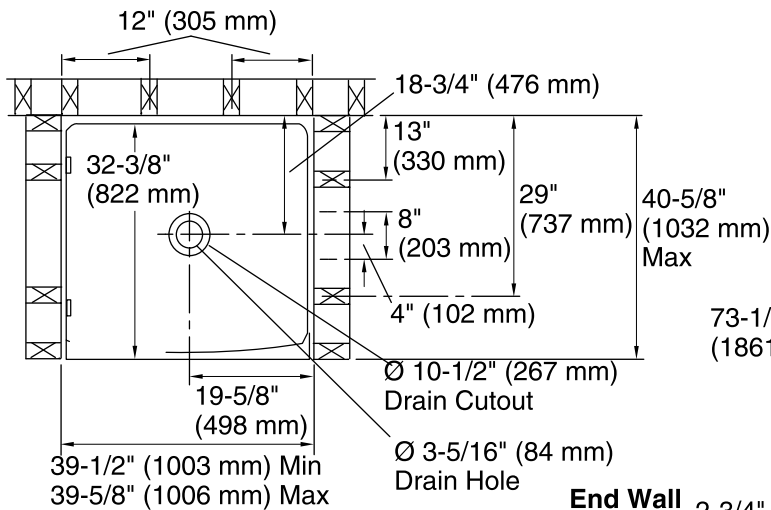
STERLING

A KOHLER COMPANY


OC-SS-39

39" Shower with Backer Boards

62050106



Note: Right end wall is the same as left end wall, only mirrored.

 Backer board locations

Technical Information

All measurements are nominal.

Installation: 3-Wall Alcove

Drain location: Center

Installation Notes

Install this product according to the installation guide.

Drain cutout in subfloor to be 10-1/2" (267 mm) per rough-in illustration as shown to allow the backside of the drain to sit below the subfloor surface.

Studs should be positioned as shown.

Backer boards and fasteners protrude beyond the back wall 3/4" (19 mm). If installing this product against wall board, 3/4" (19 mm) furring strips installed over the wall board are recommended. The stud pocket depth of 40-5/8" (1032 mm) will need to be increased by the combined thickness of the wall board and furring strips.