

STERLING®

A KOHLER COMPANY

ADVANTAGE™

Features

- Compression molded from our exclusive solid Vikrell® material
- Tongue-and-groove 4-piece modular design allows for easy "snap together" installation
- Durable swirl-gloss finish
- 10-year consumer/3-year commercial limited warranty
- Two toiletry shelves and 18" (45.7 cm) towel bar in backwall for added convenience
- 60-1/4" (153 cm) x 35-1/4" (89.5 cm) x 77-1/4" (196.2 cm) complete unit rough-in dimensions include flange
- 60" (152.4 cm) x 34" (86.4 cm) x 76" (193 cm) complete unit finished dimensions

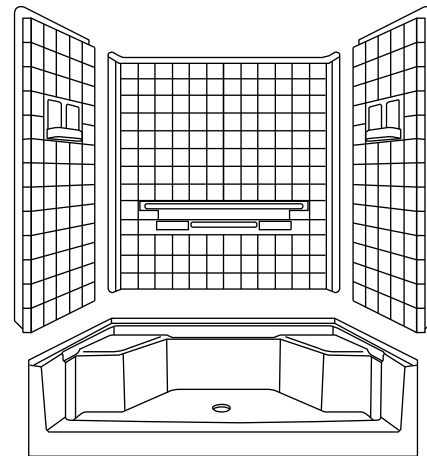
Codes/Standards Applicable

Specified model meets or exceeds the following:

- ASTM E162
- ASTM E662
- CSA B45.5/IAPMO Z124
- HUD, UM Bulletin 73A
- NAHB Research Foundation, Inc.

60" (152.4 cm) SEATED SHOWER BASE AND WALL SURROUND

62040100
ALSO 62040400



Colors/Finishes

- 0: White
- Other: Refer to Price Book for additional colors/finishes

Specified Model

Model	Complete Unit Description	Colors/Finishes	
62040100	60" (152.4 cm) seated shower base and wall surround	<input type="checkbox"/> 0	<input type="checkbox"/> Other _____
62040400	60" (152.4 cm) seated shower base and wall surround, 4 pack	<input type="checkbox"/> 0	<input type="checkbox"/> Other _____
Model	Component Description	Colors/Finishes	
62041100	60" (152.4 cm) seated shower base only	<input type="checkbox"/> 0	<input type="checkbox"/> Other _____
62041400	60" (152.4 cm) seated shower base only, 4 pack	<input type="checkbox"/> 0	<input type="checkbox"/> Other _____
Model	Wall Component Description	Colors/Finishes	
62044100	Complete wall set	<input type="checkbox"/> 0	<input type="checkbox"/> Other _____

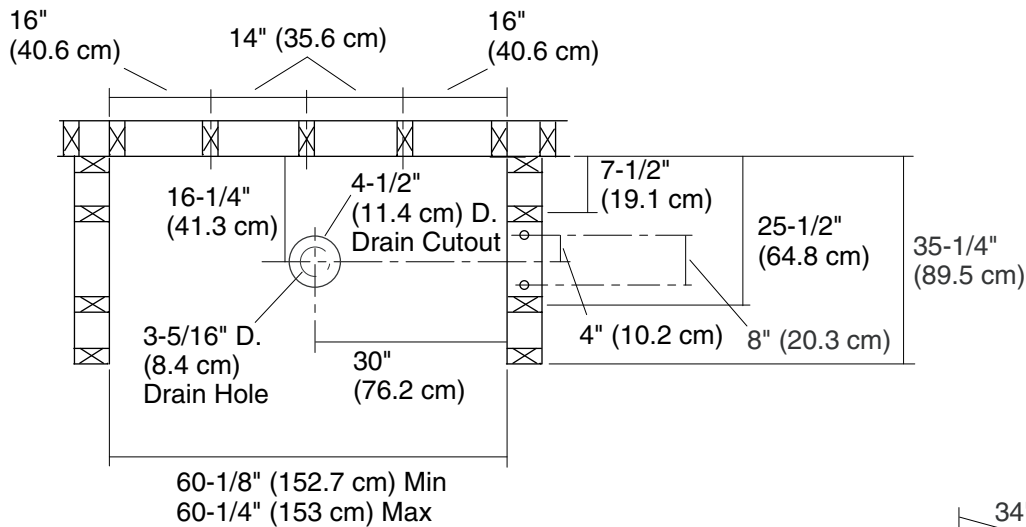
ADVANTAGE™

Technical Information

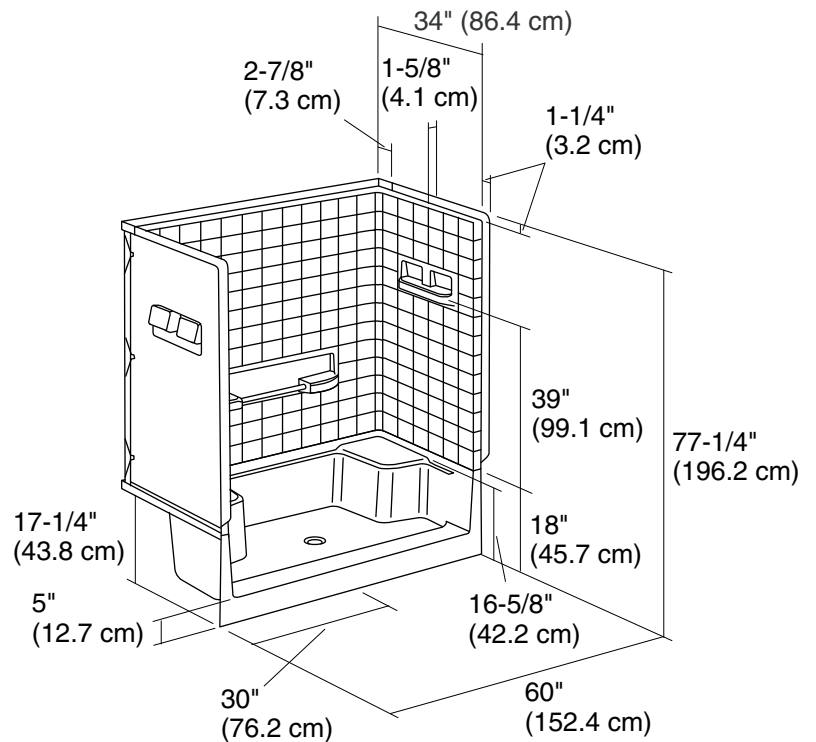
Model	door maximum width*	door maximum height
62040100	56-1/2" (143.5 cm)	67" (170.2 cm)
* NOTE: For shower door installation, use the STERLING "SP" fixture specific door only, due to draft angle on shower surround walls.		

Installation Notes

Install this product according to the installation guide.
 Size the drain cutout to fit the drain assembly that will be used.
 Double studding is recommended for pivot shower door installations.
 Studs should be positioned roughly as shown.



Recommended Support Clip Locations (5 total)
62040100



Product Diagram