

# STERLING®

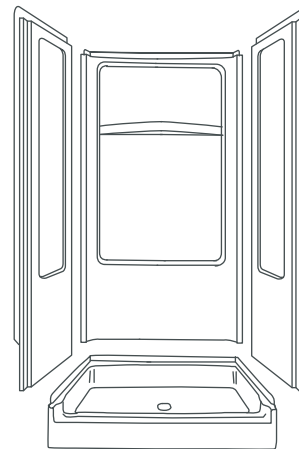
A KOHLER COMPANY

ADVANTAGE™

## Features

- Compression molded from our exclusive solid Vikrell® material
- Tongue-and-groove 4-piece modular design allows for easy "snap together" installation
- Durable swirl-gloss finish
- 10-year consumer/3-year commercial limited warranty
- 32-1/4" (819 mm) x 35-1/4" (895 mm) x 73-1/4" (1861 mm) complete unit rough-in dimensions include flange
- 32" (813 mm) x 34" (864 mm) x 72" (1829 mm) complete unit finished dimensions

## 32" (813 mm) SHOWER BASE AND WALL SURROUND 62010100



## Codes/Standards Applicable

Specified model meets or exceeds the following:

- ASTM E162
- ASTM E662
- CSA B45.5/IAPMO Z124
- HUD, UM Bulletin 73A
- NAHB Research Foundation, Inc.

## Colors/Finishes

- 0: White
- Other: Refer to Price Book for additional colors/finishes

## Specified Model

Model	Complete Unit Description	Colors/Finishes	
62010100	32" (813 mm) shower base and wall surround	<input type="checkbox"/> 0	<input type="checkbox"/> Other_____
Model	Component Description	Colors/Finishes	
62011100	32" (813 mm) shower base only	<input type="checkbox"/> 0	<input type="checkbox"/> Other_____
Model	Wall Component Description	Colors/Finishes	
62012100	Back wall	<input type="checkbox"/> 0	<input type="checkbox"/> Other_____
62015100	End wall set	<input type="checkbox"/> 0	<input type="checkbox"/> Other_____

## Technical Information

Model	Door maximum width	Door maximum height
62010100	29-1/2" (749 mm)	67" (1702 mm)

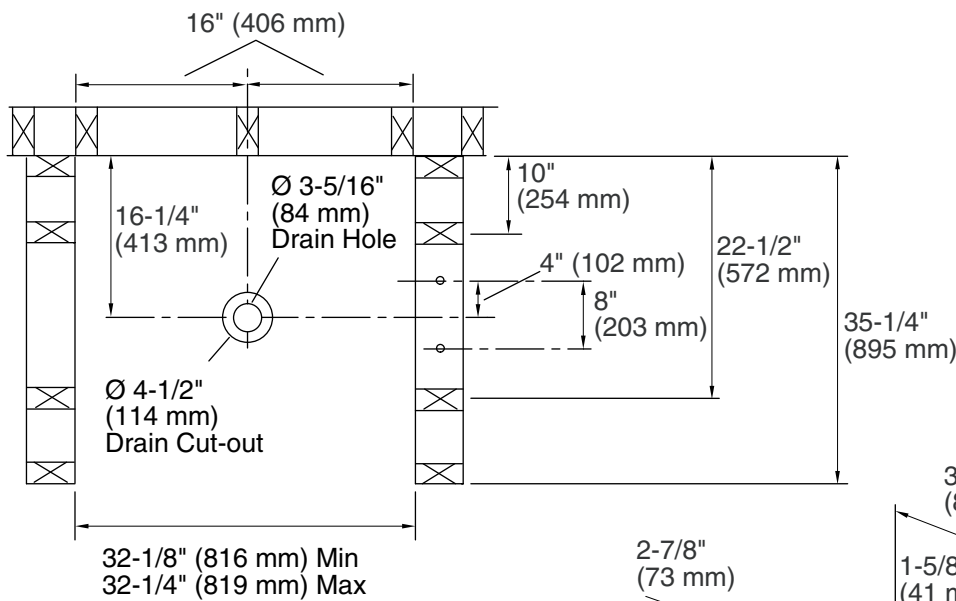
## Installation Notes

Install this product according to the installation guide.

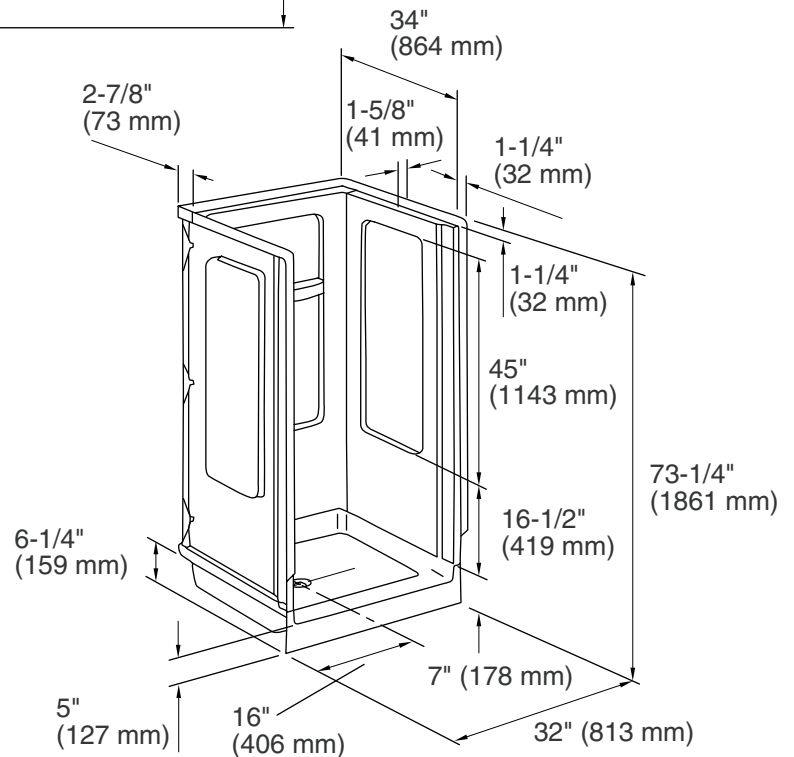
Size the drain cutout to fit the drain assembly that will be used.

Double studding is recommended for pivot shower door installations.

Studs should be positioned roughly as shown.



62010100



## Product Diagram