

STERLING®

A KOHLER COMPANY

ALL PRO®

Features

- Compression molded from our exclusive solid Vikrell® material
- Backrest molded into bath
- Durable swirl-gloss finish
- 10-year consumer/3-year commercial limited warranty
- 15" (38.1 cm) bath depth (floor to top of threshold)
- 60-1/4" (153 cm) x 32-5/16" (82.1 cm) x 15-1/2" (39.4 cm) rough-in dimensions include nailing flange
- 60" (152.4 cm) x 30-13/16" (78.3 cm) x 15" (38.1 cm) finished dimensions

Codes/Standards Applicable

Specified model meets or exceeds the following:

- ANSI Z124.1.2
- HUD, UM Bulletin 73A
- NAHB Research Foundation, Inc.
- CSA B45
- ASTM E162
- ASTM E662

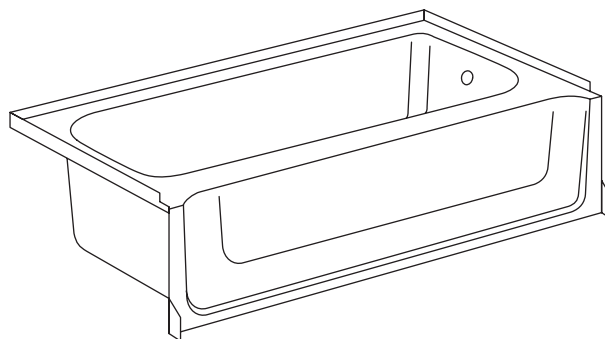
60" (152.4 cm) BATH

61041110

ALSO 61041120, 61041510, 61041520



MATERIAL STRENGTH.
PROVEN PERFORMANCE...



Colors/Finishes

- 0: White
- Other: Refer to Price Book for additional colors/finishes

Specified Model

Model	Description	Colors/Finishes	
61041110	60" (152.4 cm) bath, left drain	<input type="checkbox"/> 0	<input type="checkbox"/> Other_____
61041120	60" (152.4 cm) bath, right drain	<input type="checkbox"/> 0	<input type="checkbox"/> Other_____
61041510	60" (152.4 cm) bath, 5 pack, left drain	<input type="checkbox"/> 0	<input type="checkbox"/> Other_____
61041520	60" (152.4 cm) bath, 5 pack, right drain	<input type="checkbox"/> 0	<input type="checkbox"/> Other_____

Technical Information

Fixture*:	shipping weight
Bath, single unit	56 lbs (25.4 kg)
* Approximate measurements for comparison only.	

Fixture*:	water depth	capacity
To overflow	9-3/8" (23.8 cm)	44 gal (166.6 L)
* Approximate measurements for comparison only.		

Model	door maximum width	door maximum height
61041110 61041120 61041510 61041520	*57-1/2" (146.1 cm)	*NA
* Varies with alternative walls.		

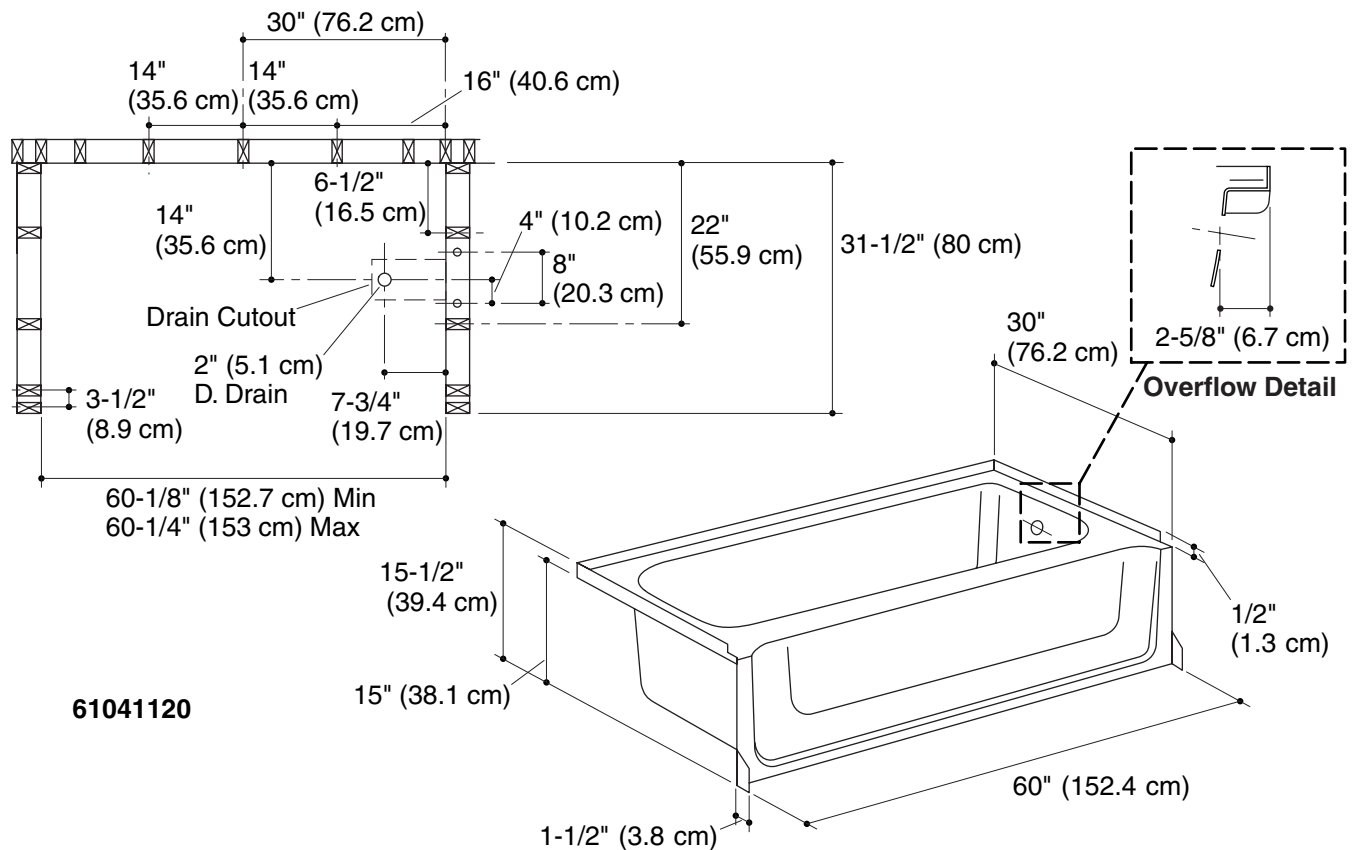
Installation Notes

Install this product according to the installation guide.

Size the drain cutout to fit the drain assembly that will be used.

Double studding is recommended for pivot shower door installations.

Studs should be positioned roughly as shown.



Product Diagram