

# STERLING®

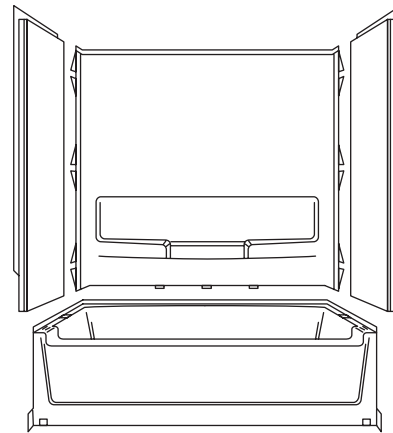
A KOHLER COMPANY

ADVANTAGE™

## Features

- Compression molded from our exclusive solid Vikrell® material
- Two toiletry shelves and 18" (45.7 cm) towel bar in back wall for added convenience
- Tongue-and-groove 4-piece modular design allows for easy "snap together" installation
- Durable swirl-gloss finish
- Left or right drain
- 10-year consumer/3-year commercial limited warranty
- 15" (38.1 cm) bath depth (floor to top of threshold)
- 60-1/4" (153 cm) x 31-1/4" (79.4 cm) x 73-1/4" (186.1 cm) complete unit rough-in dimensions include flange
- 60" (152.4 cm) x 30" (76.2 cm) x 72" (182.9 cm) complete unit finished dimensions

**60" (152.4 cm) BATH AND WALL SURROUND**  
**61030110**  
**ALSO 61030120, 61030410, 61030420**



## Codes/Standards Applicable

Specified model meets or exceeds the following:

- ANSI Z124.1.2
- HUD, UM Bulletin 73A
- NAHB Research Foundation, Inc.
- ASTM E162
- ASTM E662
- CSA B45

## Colors/Finishes

- 0: White
- Other: Refer to Price Book for additional colors/finishes

## Specified Model

Model	Complete Unit Description	Colors/Finishes	
61030110	60" (152.4 cm) bath and wall surround, left drain	<input type="checkbox"/> 0	<input type="checkbox"/> Other_____
61030120	60" (152.4 cm) bath and wall surround, right drain	<input type="checkbox"/> 0	<input type="checkbox"/> Other_____
61030410	60" (152.4 cm) bath and wall surround, 4 pack, left drain	<input type="checkbox"/> 0	<input type="checkbox"/> Other_____
61030420	60" (152.4 cm) bath and wall surround, 4 pack, right drain	<input type="checkbox"/> 0	<input type="checkbox"/> Other_____

Model	Wall Component Description	Colors/Finishes	
61032100	Back wall	<input type="checkbox"/> 0	<input type="checkbox"/> Other_____
61033110	Left end wall	<input type="checkbox"/> 0	<input type="checkbox"/> Other_____
61033120	Right end wall	<input type="checkbox"/> 0	<input type="checkbox"/> Other_____
61034100	Complete wall set	<input type="checkbox"/> 0	<input type="checkbox"/> Other_____
61035100	End wall set	<input type="checkbox"/> 0	<input type="checkbox"/> Other_____

## Technical Information

Fixture*:	shipping weight
Complete bath and wall unit	125 lbs (57 kg)
Complete wall set	62 lbs (28.1 kg)
End wall set	32 lbs (14.5 kg)
Bath only, single pack	63 lbs (28.6 kg)
Bath only, four pack	210 lbs (95.3 kg)
* Approximate measurements for comparison only.	

Fixture*:	water depth	capacity
To overflow	9-3/8" (23.8 cm)	42 gal (159 L)
* Approximate measurements for comparison only.		

Model	door maximum width	door maximum height
61030110 61030120 61030410 61030420	56-3/4" (144.1 cm)*	57" (144.8 cm)
* Varies with alternative walls.		

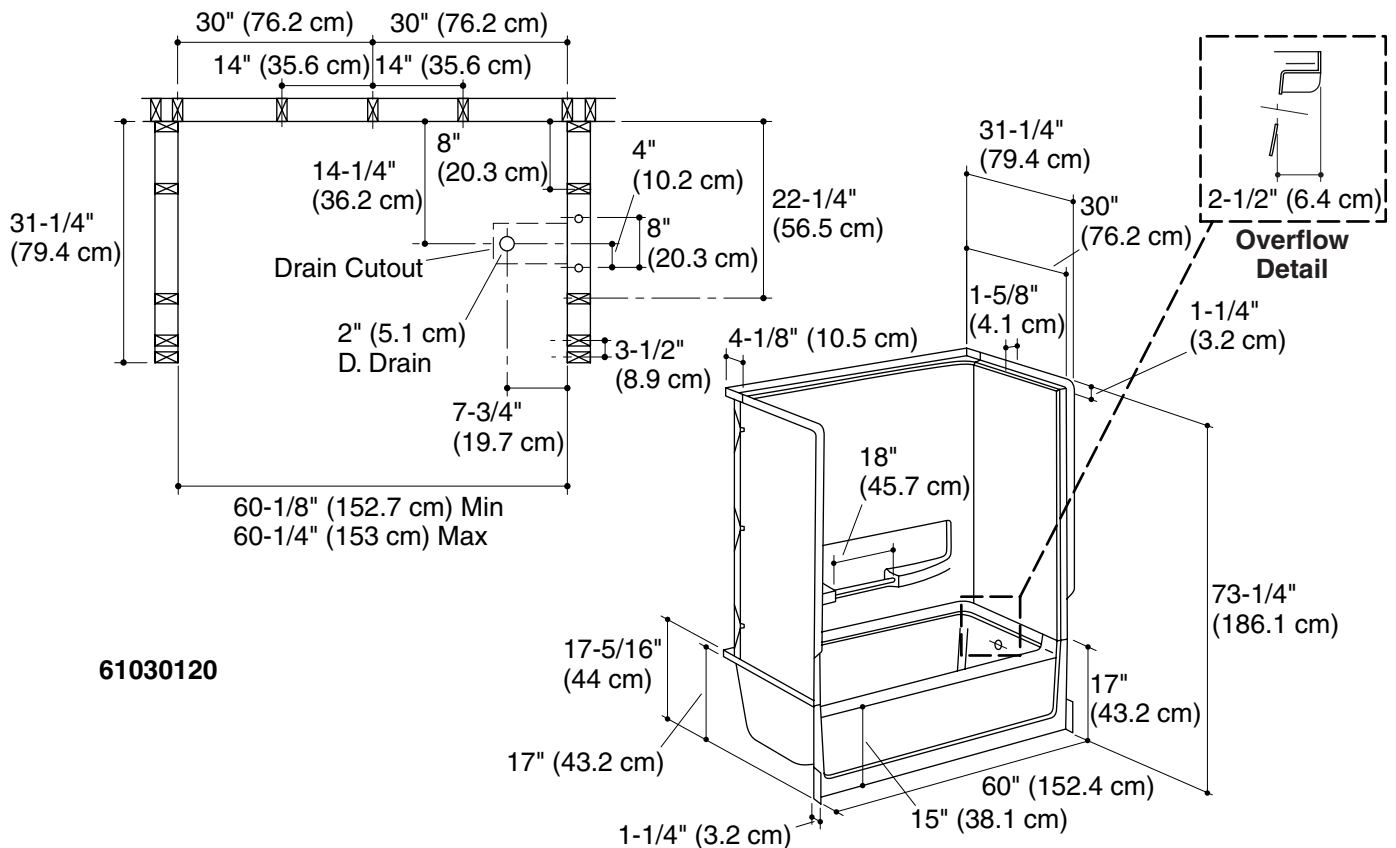
## Installation Notes

Install this product according to the installation guide.

Size the drain cutout to fit the drain assembly that will be used.

Double studding is recommended for pivot shower door installations.

Studs should be positioned roughly as shown.



**Product Diagram**